



Pelican Series Waterproof Scale



Trade Approved Waterproof Scale, Capacities From 3kg to 30kg



Pelican Series Waterproof Bench Scale



Operator
Friendly



NMI Trade
Approved



CE Marking



IP65



LCD
Backlight



Rechargeable
Battery

Australian Weighing Equipment Offers Industrial Weighing Solutions Built To Last



Pelican Series Waterproof Scale

The Pelican Series Waterproof Scale

If you need a portable, waterproof scale which is Trade Approved, then the Pelican Scale fits the bill. Designed for accurate weighing & packing in the trade of fresh poultry, fish, vegetables, meat re-packing and other food processing applications.

Weighing a mere 2.78 kg, the Pelican Waterproof Scale Series, delivers robust weighing capacities from 3kg to 30 kg.

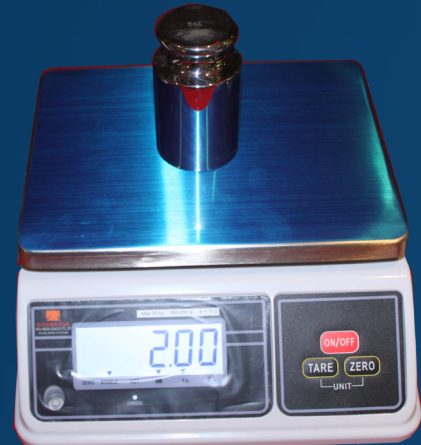
The Pelican Waterproof Scale has been Trade Approved by NMI - Ideal for weighing demanding hygienic conditions, the Pelican Waterproof Weighing Scale delivers an ideal sanitary solution.

The stainless steel platform makes cleaning easy.

Its affordable price coupled with consistent accuracy, makes it a top choice when looking for scales needing frequent wash-downs and weighing capacities of up to 30 kilos.

What You Get With The Pelican Series Waterproof Scale

- ▶ **Trade Approval no: NMI 6/4C/280**
- ▶ You will find the large 25mm-High LCD Display (LED backlight), easy to read
- ▶ **Large square Weighing Pan, 200mm (W) x 260mm (L)**
- ▶ Hygienic Stainless Steel Weighing Pan, so its easy to clean
- ▶ **IP65 waterproof housing design**
- ▶ You will have up to 70 Hours continuous use, before you need to recharge the batteries
- ▶ **The Mechanical Switch Keys, makes it operator friendly & simple to use**
- ▶ Internal Batteries, Rechargeable



Pelican Series Waterproof Scale Application



Sealed Bottom Of Pelican Weighing Scale

- ▶ **Trade Approved Weighing for up to 30kg bulk merchandise**
- ▶ Where you need frequent wash down of your scale
- ▶ **Check Weighing and General Purpose Weighing**
- ▶ Tough environments where you have the possibility of impact & heavy forces

NMI Trade Approval For Pelican-15 Weighing Instrument

6/4C/280 Riteweigh Model Pelican-15 Weighing Instrument

This approval has been granted with reference to document NMI R 76, Non-automatic weighing instruments, Parts 1 and 2, dated July 2004.



Description of Pattern approved on 2/05/13A Riteweigh model Pelican-15 class non-automatic single interval self-indicating weighing instrument (Table 1) of 15 kg maximum capacity with a verification scale interval of 0.005 kg.

Instruments are fitted with an liquid crystal display for weight value.

1.7 Descriptive Markings and Notices

Instruments are marked with the following data, together in one location, see Below

Manufacturer's mark, name written in full	Rite-Weigh Scales Pty Ltd
Indication of accuracy class	NMI 6/4C/280
Pattern approval number for the instrument	
Maximum capacity	Max g or kg #1
Minimum capacity	Min g or kg #1
Verification scale interval	e = g or kg #1
Maximum subtractive tare	T = - g or kg #2
Serial number of the instrument

#1 These markings are also shown near the display of the result if they are not already located there.

#2 This marking is required if T is not equal to Max.

2. Description of Variant 1 approved on 2/05/13 Certain models of the Riteweigh Pelican series of instruments in capacities as listed in Table 1 (the pattern is shown in bold):

Table 1

Model	Maximum Capacitys (Max)	Minimum Capacitys (Max)	Verification Scale Interval (e)	Maximum Subtractive Tare Capacity (T=-...)	Load Cell Maximum Capacity Emax
Pelican-3	3 kg	0.020 kg	0.001 kg	2.999 kg	5 kg
Pelican-6	6 kg	0.040 kg	0.002 kg	5.998 kg	8 kg or 10 kg
Pelican-15	15 kg	0.100 kg	0.005 kg	14.995 kg	20 kg
Pelican-30	30 kg	0.200 kg	0.005 kg	29.99 kg	35 kg or 50 kg



Pelican Series Waterproof Scale

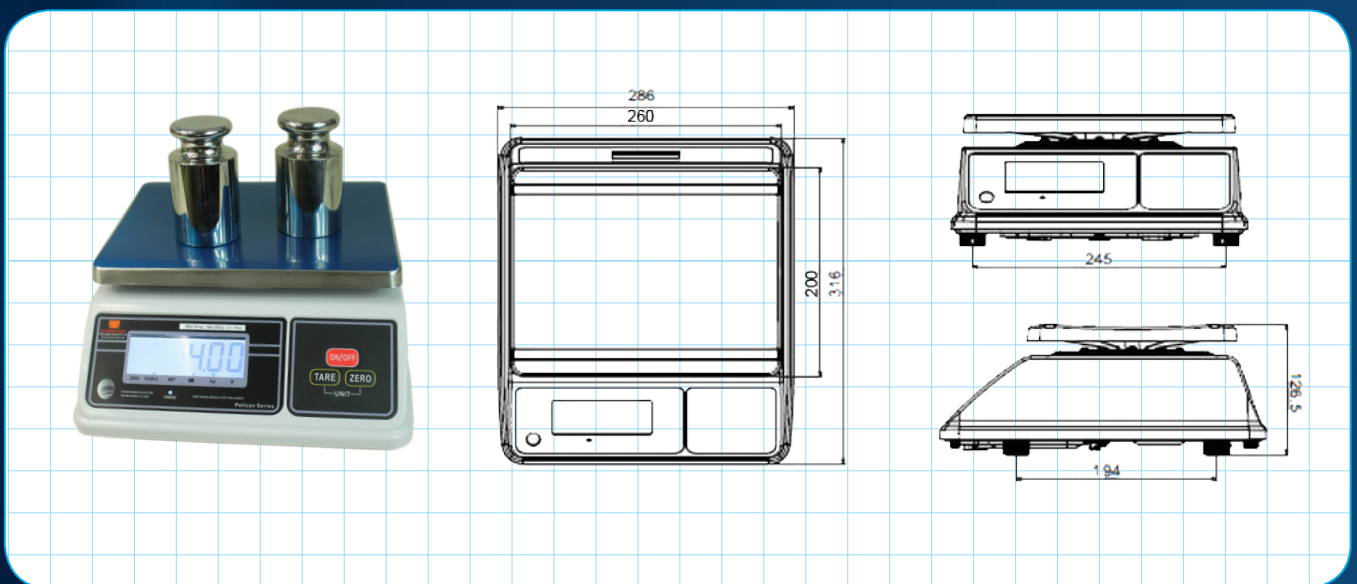
Pelican Waterproof Weighing Scale Specifications



Pelican Waterproof Weighing Specifications				
Order Code	PELICAN-3KG	PELICAN-6KG	PELICAN-15KG	PELICAN-30KG
Capacity	3kg	6kg	15kg	30kg
Resolution	1g	2g	5g	10g
Max Division	3.000e			
Pan Size	200 x 260mm			
Gross Weight	2.78kg			
Display	25mm digit LCD display, with white LED backlight			
Keyboard	3 keys (Mechanical switch)			
Housing	ABS Plastic			
Power	AC adapter (12V/500mA), internal rechargeable battery (6V/3.2Ah)			
ADC Update	≤1/10 second			
Operating Temp	-10°C~+40°C			
Approvals	NMI 6/4C/280, CE, OIML			

Pelican Waterproof Weighing Scales Options	
Order Code	Description
PS-101	Spare Power Packs for Recharging 12v500mA

Pelican Series Waterproof Scale Dimensions



Although waterproof, the base of the scale should not be submerged in standing pools of water. Direct force of water streams sprayed underneath the base is not equally advisable.



Who is Australian Weighing Equipment & Rite-Weigh Scales

Jeff & Trevor Baillie started AWE in 1981, focusing on weighing solutions based on engineering principles. For the last 30 years AWE has built its reputation as a leading supplier of robust industrial weighing equipment and solutions provider. Our innovative engineering, and continuous product improvement have led to designs that will stand up to the rigours and demands your operators and machinery will throw at it.

If you need your weighing solution to stand up to punishing abuse, then you require 3 components: Strength, Reliability and Qualified Trades People/Service.

The biggest compliment we hear is, "Your weighing equipment is Over Engineered".

Our response, "AWE understands that most equipment operate in a rugged environment. They cop a pounding. We must engineer to survive these conditions, because our reputation depends on this. So we prefer to build based on our experience to anticipate overloading situation, to meet these demands. AWE's equipment are built to "Our Standards" to protect your investment.

You can choose from our standard model or consult with our inhouse engineers, design and manufacturing facility, together with our network of consultants and agents around the world, we are able to offer a complete custom built solution for your weighing needs.

AWE Investment in the Future

To help provide a seamless packaging solution, AWE has just increased its investment in our manufacturing facilities now giving us over 3,200m² of factory in Sydney with

- ▶ A CNC Machine Shop
- ▶ Heavy Metal Fabrication Shop
- ▶ Plus further room for our team of qualified tradesman

Acquisitions of Bradwood Packaging, Dendy Packaging and Design Engineering increased our packaging and engineering experience.

In 2008, AWE established a manufacturing facility in China - China Weighing and Bulk Materials Handling Equipment.

China Weighing and Bulk Materials Handling Equipment, currently occupies a purpose built 2,300m² factory in Suzhou China (70kms From Shanghai).

All Equipment is Australian designed and manufactured under AWE Group's strict quality control system in our own factories both locally and internationally.

About Australian Weighing Equipment

Established in 1981 in Sydney, Australia, Australian Weighing Equipment engage in tireless research and development of industrial weighing equipment and design aiming to streamline your workflow logistics to save you time, labor and money. This innovation allows your company to manage your stocks or product with the latest development in digital technology.

For more than 30 years, AWE has served Australia and beyond for its trusted industrial

weighing equipment and technology. Recognised for its loyal and growing patronage, there isn't an industrial facility in Australia without an AWE trademark.

Customer satisfaction and repeat business is what we're all about. We have grown steadily to acquire a solid reputation for industrial weighing equipment suppliers. We are Australian Weighing Equipment, one of the world's largest manufacturers of commercial and industrial scales down under.

Australian Weighing Equipment Guarantee

Australian Weighing Equipment supply and backup what they sell - That's a Guarantee from the manufacturer. The directors stand by all the Weighing Solutions sold by AWE. If it's not suitable, or doesn't work, then we will fix it, replace it or you don't pay.

To deliver on our commitment of providing quality, reliable weighing solutions, AWE understands it's more than just delivering a well built & designed weighing solution, it also requires a team of dedicated people who care and are there to back you up with great Service & Support.

The quality of our team sets us apart. Most companies choose to outsource these services to contractors, or buy machinery from overseas as a so called agent. They do not have the knowledge base to support or maintain their equipment long term.

AWE's solutions are designed to fit your factory systems, to do this requires a team of professionally trained tradesmen.

We're Talking About

- ▶ Licensed Tradesmen
- ▶ Mechanical Engineers
- ▶ Electrical Engineers
- ▶ Structural Engineers
- ▶ Draftsmen
- ▶ Fitter & Turners
- ▶ Boilermakers
- ▶ Fully Qualified Scale Makers
- ▶ Electronic Technicians
- ▶ Instrument Fitters
- ▶ Electricians
- ▶ Service Technicians
- ▶ Project Managers
- ▶ Formworkers
- ▶ Concreters

They are all led by your own personal project manager assigned to make your project run smoothly. Which means there is one point of contact, you won't get the run around. They're responsible for managing the design team, installation, commissioning and documenting your project.

Reliability

AWE industrial weighing systems are designed for Australian conditions and a lifetime of heavy duty weighing. Our proven and robust designs are engineered and manufactured in house, to the highest standards to provide our customers with a lifetime of reliable and accurate service.

In the unlikely case of breakdown, we know downtime is costly and service is required, quickly with accurate attention.

**AWE Technicians Are On Call 24/7 ,
Because We Know Breakdowns Don't
Always Happen In Business Hours.**

The service guys are there when you need them. When your line goes down, 5.00pm on a Friday, you need technicians to turn up. If you need them at 11pm Saturday, they will be there. That's a promise, because we stand behind our equipment.

So If You Have Any Questions About Weighing Solutions, Then Talk To AWE.

AWE guarantees our solutions and products. From over 30 years experience manufacturing Weighing Systems, we're able to draw from our armoury. Instead of forcing your process to suit our solutions, we customise the solutions to suit your process.

AWE prides itself in providing plain english proposals, there's no hidden surprises. You'll know what you're getting.

So if you have questions about Weighing Solutions, then talk to AWE.

Call or email us today and find out how our sales team and project engineers can assist you in finding the best Weighing solution for your needs.



Visit AWE Group YouTube channel at www.youtube.com/user/AustWeighing where you can watch videos on our products and services in action. You'll see our new product releases, or watch demos with new uploaded videos!

Companies in the AWE Group



Australian Weighing Equipment P/L



All State Machining P/L



Rite-Weigh Scales P/L



Bradwood Packaging P/L



Dendy Packaging (Australia) P/L



China Weighing & Packaging Machinery

Australian Weighing Equipment

16 Kerr Road Ingleburn
NSW 2565
Email: sales@awe.com.au
PH: (+61) 2 8717 3333
www.awe.com.au

Rite-Weigh Scales Melbourne Office

37 Barrie Road
Tullamarine, VIC, 3043
Ph: (+61) 3 9330 1011
Email: sales@rite-weigh.com.au

Rite-Weigh Scales Queensland Office

7 Darnick Street,
Underwood, QLD, 4119
Ph: (+61) 7 3423 1388
Email: sales@rite-weigh.com.au



Sydney



Melbourne



Brisbane

Dealer's Information:

For Links to AWE Website please scan your smartphone here

