



**AUSTRALIAN  
WEIGHING  
EQUIPMENT**  
*Way ahead in Weighing*

PRODUCT GUIDE

# BULLANT BALANCE SCALE

---

- High accuracy
- Wide range application
- Precise weighing





## ■ ABOUT THE BULLANT BALANCE SCALE

The Bullant Series Scale comes in 3 models, 200 gram, 2000 gram and 5000 gram capacities which delivers high accuracy at an affordable price. Powered by batteries or mains, these balances are useful in a wide range applications such as schools, jewelry shops, offices and laboratories.

The Bullant Series portable balances are designed for weighing small and lightweight objects while the Bullant 200G Compact Balance offers a high 0.01 gram resolution weighing. For precise calculations for small drug or medicine doses, filling powder or granular prescriptions, weighing gold and silver or carat weighing for gemologists and jewelry crafting or small scale, The Bullant Scale is the perfect solution. With the Bullant Scale, you can choose to see the weight in grams (g), kilograms (kg), milligrams (mg), pounds (lb), and ounces (oz).

## ■ FEATURES

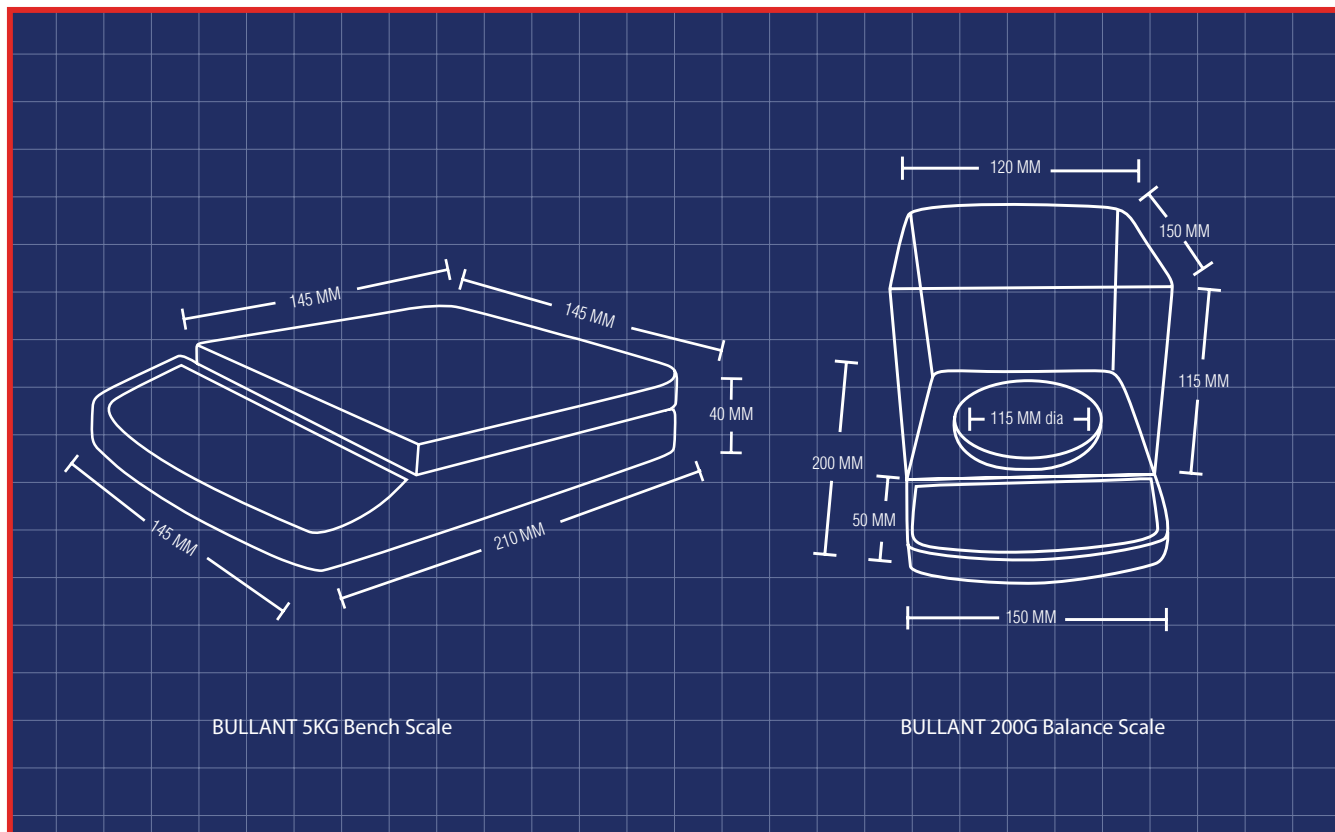
- Auto Power Off, to make batteries last longer
- Stability Indication
- Easy to clean with removable Stainless Steel top plate
- Never get caught with a flat battery with the Low Battery Indicator
- Select Weighing Units, in grams (g), kilograms (kg), milligrams (mg), pound (lb), and ounces (oz)
- Battery or Mains Power LCD Display (with Backlight)

## ■ SPECIFICATIONS

Order Code	BULLANT-200G	BULLANT-2KG	BULLANT-5KG
Capacity	200g	2000g	5000g
Resolution	0.01g	0.1g	1g
Type	Balance ScaleB	ench ScaleB	ench Scale
Pan Size	115mm Dia	145 x 145mm	200 x 260mm
Unit of Measure	g, oz	kg, g, lb, oz	kg, g, lb, oz
Gross Weight	620g	650g	650g
Display	6 x 15mm digit LCD display, with white LED backlight		
Keyboard	3 keys (Mechanical switch)		
Housing	ABS Plastic		
Power	AC Adapter (9V/100mA), 6 x AA Batteries		
ADC Update	≤1/10 second		
Operating Temp	-10°C~+40°C		
Approvals	CE		



■ **DIMENSIONS**





■ **AWE - THE BEST IN THE BUSINESS**

AWE has built a reputation in providing world class products and services to customers from a wide range of industries for many unique applications. All the products come with AWE Quality Guarantee- giving you the assurance that they have been tested to meet or exceed the specifications and requirements of your application. At AWE, it's more than just delivering perfectly-designed equipment, it also requires a team of dedicated people who will back you up with great service and support. Any servicing, installation and technical support issues you encounter can be addressed either onsite or remotely by our engineers and tradesmen who carry qualifications as:

- Licensed Tradesmen
- Mechanical Engineers
- Electrical Engineers
- Structural Engineers
- Draftsmen
- Fitter & Turners
- Boilermakers
- Fully Qualified Scale Makers
- Electronic Technicians
- Instrument Fitters
- Electricians
- Service Technicians
- Project Managers
- Formworkers
- Concreters

Call AWE today.



If you have questions about

- **weighing equipment**
- **packaging equipment**
- **bulk materials handling**
- **componentry**

call the sales team at *AWE Group* to find the right solution for your individual needs.

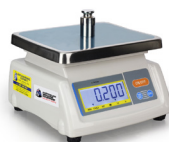
■ **AWE PRODUCT RANGE**



Weighbridges



Load Cells



Scales



Crane Scales



Indicators



Packaging Equipment



Onboard Weighing



Batching Consoles



Test Weight



Maintenance



## ■ WHO IS “AUSTRALIAN WEIGHING EQUIPMENT GROUP”

Jeff & Trevor Baillie started Australian Weighing Equipment (or AWE) in 1981, focusing on weighing solutions based on engineering principles. For nearly 40 years AWE has built its reputation as a leading supplier of robust weighing, packaging & bulk handling equipment. Our innovative engineering and continuous product developments have led to designs that will stand up to the rigours and demands of your applications.

AWE has increased its investment in manufacturing facilities with a new 3,200sq/m factory in Sydney which has

- A CNC Machine Shop
- Heavy Metal Fabrication Shop
- Larger work areas for our team of qualified tradesman

Acquisitions of Bradwood Packaging and Dendy Packaging and Design Engineering has increased our packaging and engineering experience.

In 2008, AWE established a manufacturing facility in China - AWE Group Packaging and Bulk Materials Handling Equipment, a purpose-built 5,000sq/m factory in Suzhou China (70kms From Shanghai).

All of the products we offer are Australian designed and manufactured under our strict quality control system in our own factories both locally and internationally.

## ■ LOCATIONS OF AUSTRALIAN WEIGHING EQUIPMENT



Australian Weighing  
Equipment - Sydney Office

8 Heald Road  
Ingleburn NSW 2565



Australian Weighing  
Equipment - Melbourne Office

37 Barrie Road  
Tullamarine, VIC, 3043



Australian Weighing  
Equipment - Brisbane Office

7 Darnick Street  
Underwood, QLD1 4119

## ■ AUSTRALIAN WEIGHING EQUIPMENT ON SOCIAL MEDIA



@AustralianWeighingEquipment



@australianweighingequipment



/company/awegrouppaustralia



www.youtube.com/AustWeighing



www.awe.com.au

SCAN HERE



www.awe.com.au

Dealer's Information: