

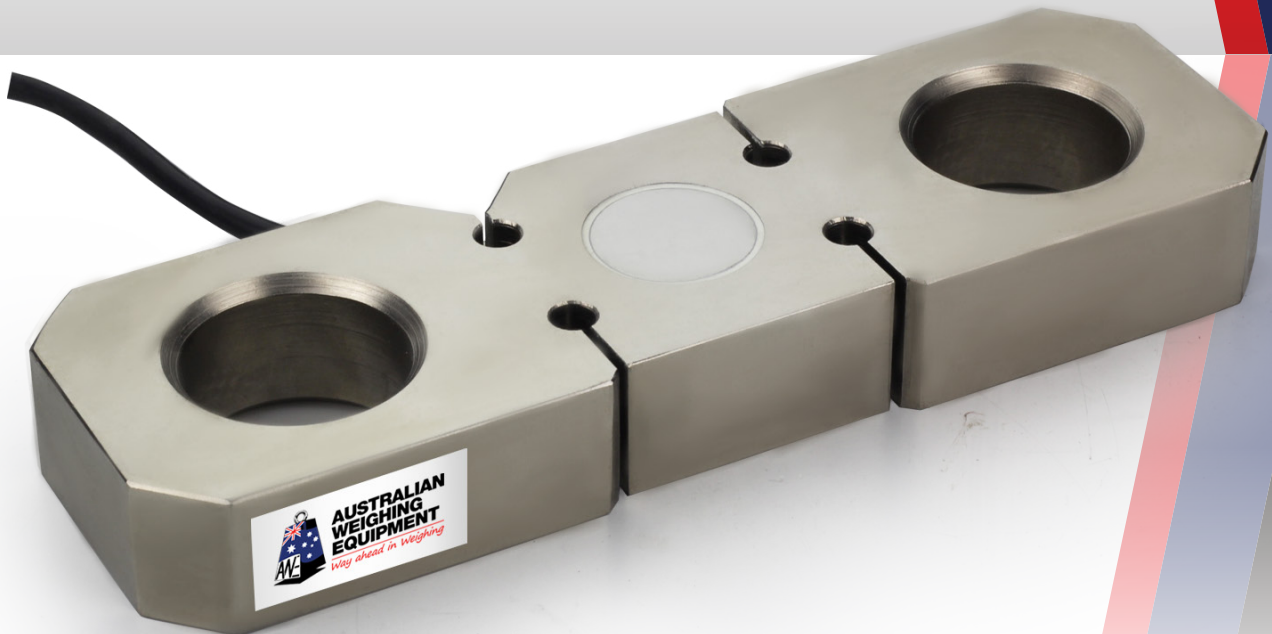


**AUSTRALIAN  
WEIGHING  
EQUIPMENT**  
*Way ahead in Weighing*

PRODUCT GUIDE

# AET-4 TENSION LOAD CELL

Designed as a crane scale with high precision, strong overload protection capability and certified lifting device capability.





# AET-4 Tension Load Cell

## ■ FEATURES



The heart of any weighing system is the load cell. The AET-4 Tension Load Cells are designed for measuring gauge forces of tension, in a vertical direction. Which makes the AET-4 Tension Load Cell, ideal for crane scales. The Tension loadcells are able to convert sensed mechanical force into electrical signals so it can be used for measuring the weight of a lifted load.

The AET-4 Tension Load Cell has been designed as a crane scale with high precision, strong overload protection capability and anti-deflective loading. The AET-4 Tension Load Cell comes with a built-in ring at each end for easy installation.

- Thin wall and blind hole structure
- High precision
- Strong anti-deflective loading
- Good shock resistance
- Simple to install
- Moisture-proof sealed
- Ideal for hostile environment

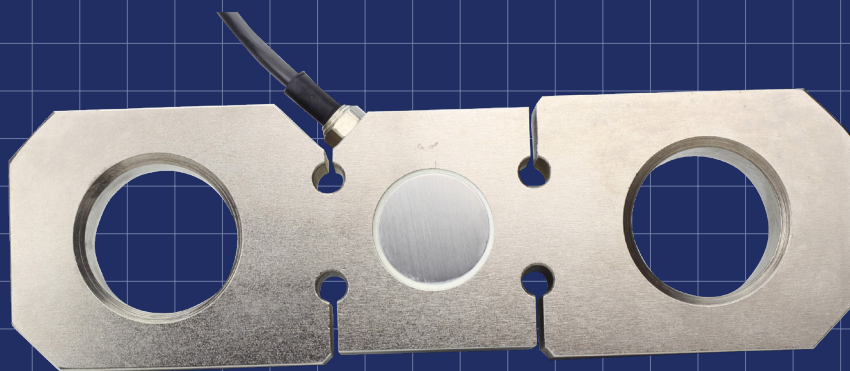
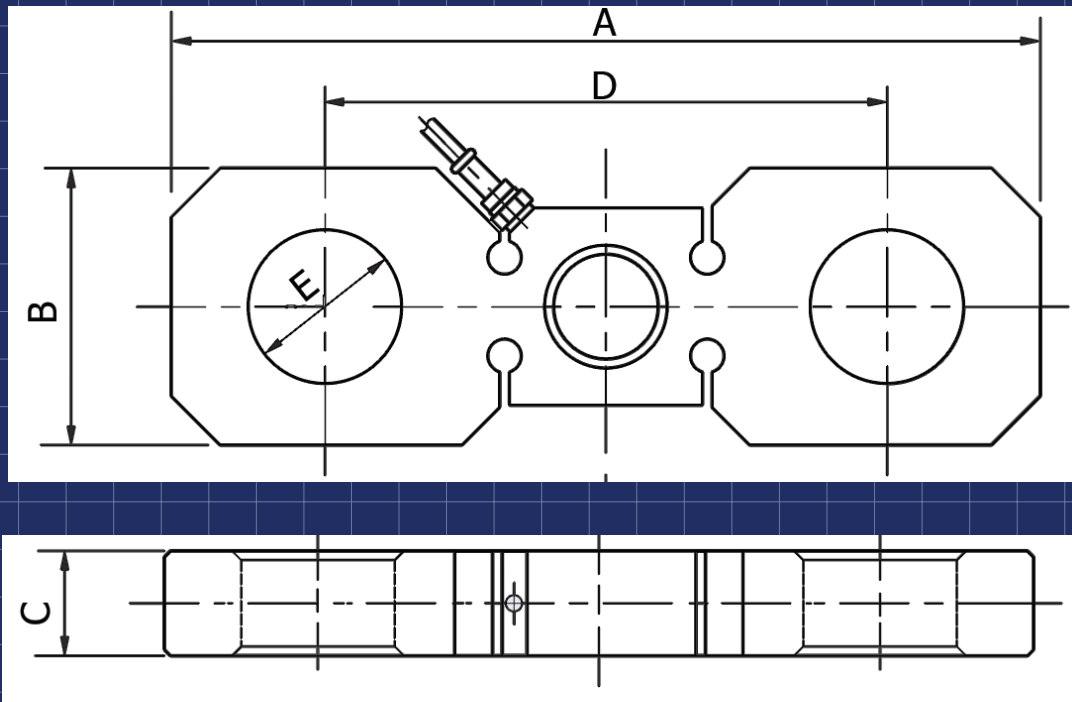
## ■ SPECIFICATIONS

AET-4 Tension Load Cell Specifications	
Rated Output (mV/V)	1.5 ± 0.010
Nonlinearity	± 0.02%FS
Hysteresis	± 0.02%FS
Repeatability	± 0.01%FS
Creep (30minutes)	± 0.02%FS
Zero Balance	± 1.00%FS
Temperature Effect on Zero	± 0.02%FS/10°C
Temperature Effect on Output	± 0.02%FS/10°C
Input Resistance (Ω)	385 ± 10
Output Resistance (Ω)	350 ± 3
Insulation Resistance	≥ 5000M Ω
Exciting Voltage	10V(DC/AC)
Compensated Temperature Range	-10°C~ to +50°C
Operating Temperature Range	-20°C~ to +60°C
Safe Overload	120%FS
Cable	φ 5.4x1m(5m)
Cable Colour Code	Input: Red (+) Black (-) Output: Green (+) White (-)



# AET-4 Tension Load Cell

## ■ DIMENSIONS

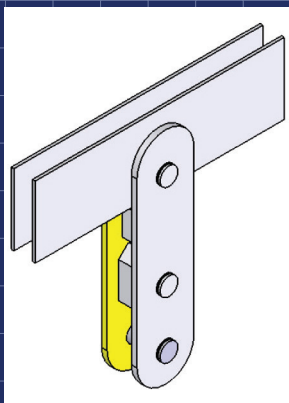
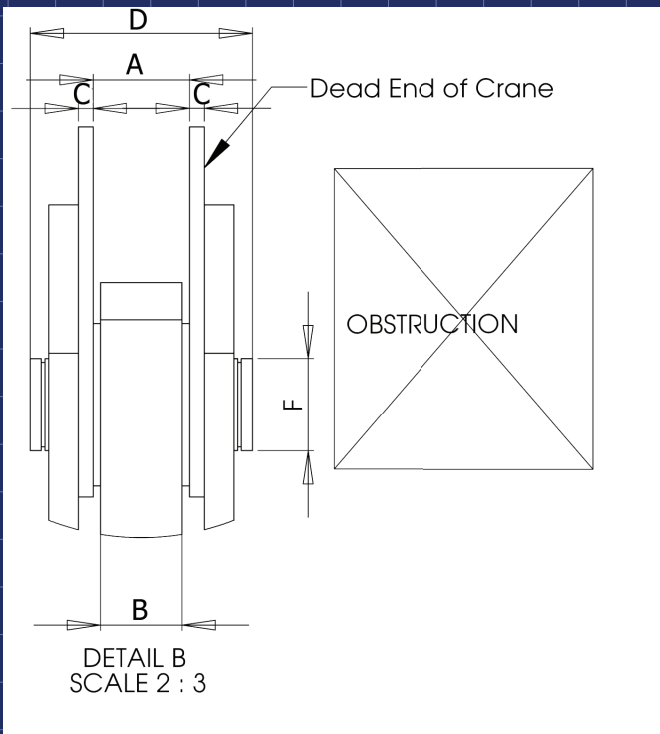
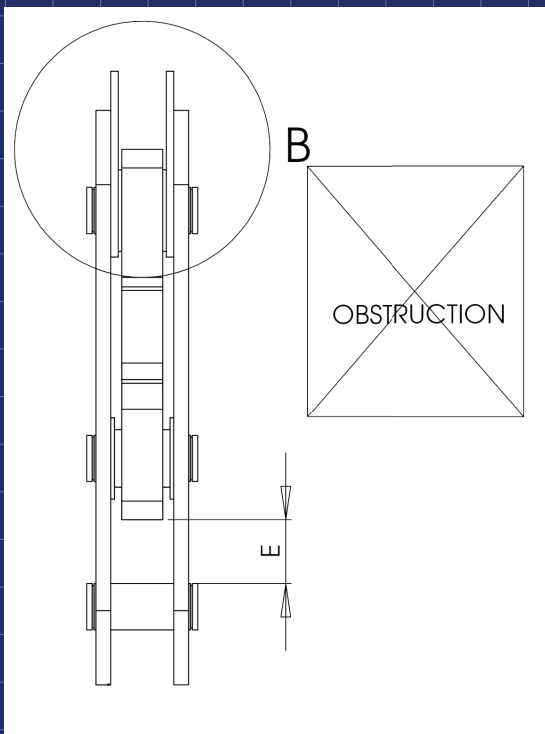


Order Code	Capacity	A	B	C	D	E
AET-4-NP-3T	3 tonne	203.0	60.0	22.0	134.0	32.0
AET-4-NP-5T	5 tonne	227.0	70.0	28.0	147.0	40.0
AET-4-NP-10T	10 tonne	283.0	90.0	34.0	183.0	50.0
AET-4-NP-20T	20 tonne	315.0	110.0	42.0	200.0	60.0
AET-4-NP-50T	50 tonne	500.0	180.0	60.0	320.0	72.0
AET-4-NP-100T	100 tonne	570.0	170.0	90.0	370.0	100.0



# AET-4 Tension Load Cell

## OVERLOAD SAFETY CATCH FRAME FOR OVERHEAD CRANES



### Dimension

### Please Specify Size

A	
B	Please see below for this dimension
C	
D	
E	
F	

Order Code	Load Cell Capacity	B Dimension
AET4OVERLDSCF3T	1-3t loadcell	22 mm
AET4OVERLDSCF5T	5t loadcell	28 mm
AET4OVERLDSCF15T	15t loadcell	38 mm
AET4OVERLDSCF20T	20t loadcell	42 mm
AET4OVERLDSCF50T	50t loadcell	60 mm



# AET-4 Tension Load Cell

Loadcell Type & Model	Application	Capacity Range	EP Rating	Material	Sealing	Full Load Output	Input Resistance	Output Resistance
<b>Bending Beam</b> APE-7	Most commonly used in harsh manufacturing environments on belt scales and small hoppers.	10kg - 1000kg	IP68	17-4PH Stainless Steel	Hermetically Sealed	2.0mV/V ± 0.10%	400 Ω ± 10 Ω	352 Ω ± 2 Ω
<b>Compression</b> GGGY-1	Widely used in truck scales, railroad scale, crane scale	0.5 t - 100 t	IP68	Steel Stainless 17-4PH	Hermetically Sealed	4.0mV/V ± 0.15%	765 Ω ± 15 Ω	700 Ω ± 5 Ω
AGY-3	Widely used in truck scales, railroad scales, hopper scales and various other special scales	0.5 t - 100 t	IP68	Steel Stainless 17-4PH	Hermetically Sealed	4.0mV/V ± 0.15%	765 Ω ± 15 Ω	700 Ω ± 5 Ω
<b>Double Shear Beam</b> AGF-1	Widely used in truck scales, hopper scales	10 t - 50 t		Steel Stainless 17-4PH		2.0mV/V ± 0.10%	770 Ω ± 10 Ω	700 Ω ± 3 Ω
AGF-2	Suitable for hopper scale			Steel Stainless 17-4PH		3.0mV/V ± 0.01%	770 Ω ± 10 Ω	700 Ω ± 3 Ω
<b>Load Pins</b> ALP	Typical applications include replacement for shackles pins, clevis pins & pulley shafts available in any size cranes, specialised applications where standard loadcells cannot be used.			Steel Tool Stainless 17-4PH		1.0mV/V ± 0.10%	385 Ω ± 10 Ω	350 Ω ± 3 Ω
<b>Pressure Transducers</b> GSPT	Suitable for Forklifts, Loader, Trucks, or typical hydraulic applications	-1,000PSI -10,000PSI		Steel Stainless 17-4PH		2.0mV/V ± 0.10%	385 Ω ± 10 Ω	350 Ω ± 3 Ω
<b>S Type</b> AMS-1	Suitable for scales, crane scales, hopper scales and various special scales	5 kg - 20 t		Steel Stainless 17-4PH		2.0mV/V ± 0.10%	485 Ω ± 10 Ω	350 Ω ± 3 Ω
<b>Shear Beam</b> GS-AGX-1	Suitable for hopper scale	50kg - 20,000kg	IP68	Steel Stainless 17-4PH	Hermetically Sealed	2.0mV/V ± 0.1%	385 Ω ± 10 Ω	385 Ω ± 10 Ω
A2107		25kg - 5,000kg	IP68	Steel Stainless 17-4PH	Hermetically Sealed	2.0mV/V ± 0.1%	385 Ω ± 10 Ω	350 Ω ± 3 Ω
A2102				Steel Stainless 17-4PH				
<b>Single Point</b> APE-1	Suitable for electronic scales, table top scales, Platform scales and other small capacity electronic	0.3 kg - 250 kg		Aircraft Grade Aluminium		1.0mV/V ± 0.10% (1.3kg)	410 Ω ± 10 Ω	350 Ω ± 3 Ω
APE-2	Suitable for electronic platform scale	3 kg - 100 kg		Aircraft Grade Aluminium		2.0mV/V ± 0.20%	410 Ω ± 10 Ω	350 Ω ± 3 Ω
APE-5	Suitable for electronic platform scale	50 kg - 1000 kg		Aircraft Grade Aluminium		2.0mV/V ± 0.20%	410 Ω ± 10 Ω	350 Ω ± 3 Ω
<b>Tension</b> AET-1	Special load cell for crane scale	1 t - 30 t		Alloy Steel		1.5mV/V ± 0.01	765 Ω ± 15 Ω	700 Ω ± 5 Ω
AET-4	Specifically designed for weighing heavy duty products while lifting	1T - 10T	IP67	Alloy Steel	Potted Welded	1.5mV/V ± 0.015	385 Ω ± 10 Ω	350 Ω ± 3 Ω
<b>Weightbridge</b> ACA	Ideal for multiple load cell compression applications such as Weighbridges, railroad track scales & heavy duty tank weighing systems		IP68	17-4PH Stainless Steel	Hermetically Sealed	2.0mV/V ± 0.10%	1150 Ω ± 12 Ω	1050 Ω ± 10 Ω



■ **AWE - THE BEST IN THE BUSINESS**

AWE has built a reputation in providing world class products and services to customers from a wide range of industries for many unique applications. All the products come with AWE Quality Guarantee- giving you the assurance that they have been tested to meet or exceed the specifications and requirements of your application. At AWE, it's more than just delivering perfectly-designed equipment, it also requires a team of dedicated people who will back you up with great service and support. Any servicing, installation and technical support issues you encounter can be addressed either onsite or remotely by our engineers and tradesmen who carry qualifications as:

- Licensed Tradesmen
- Mechanical Engineers
- Electrical Engineers
- Structural Engineers
- Draftsmen
- Fitter & Turners
- Boilermakers
- Fully Qualified Scale Makers
- Electronic Technicians
- Instrument Fitters
- Electricians
- Service Technicians
- Project Managers
- Formworkers
- Concreters

Call AWE today.



If you have questions about

- **weighing equipment**
- **packaging equipment**
- **bulk materials handling**
- **componentry**

call the sales team at *AWE Group* to find the right solution for your individual needs.

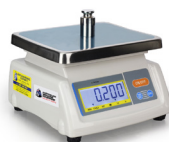
■ **AWE PRODUCT RANGE**



Weighbridges



Load Cells



Scales



Crane Scales



Indicators



Packaging Equipment



Onboard Weighing



Batching Consoles



Test Weight



Maintenance



## ■ WHO IS “AUSTRALIAN WEIGHING EQUIPMENT GROUP”

Jeff & Trevor Baillie started Australian Weighing Equipment (or AWE) in 1981, focusing on weighing solutions based on engineering principles. For nearly 40 years AWE has built its reputation as a leading supplier of robust weighing, packaging & bulk handling equipment. Our innovative engineering and continuous product developments have led to designs that will stand up to the rigours and demands of your applications.

AWE has increased its investment in manufacturing facilities with a new 3,200sq/m factory in Sydney which has

- A CNC Machine Shop
- Heavy Metal Fabrication Shop
- Larger work areas for our team of qualified tradesman

Acquisitions of Bradwood Packaging and Dendy Packaging and Design Engineering has increased our packaging and engineering experience.

In 2008, AWE established a manufacturing facility in China - AWE Group Packaging and Bulk Materials Handling Equipment, a purpose-built 5,000sq/m factory in Suzhou China (70kms From Shanghai).

All of the products we offer are Australian designed and manufactured under our strict quality control system in our own factories both locally and internationally.

## ■ LOCATIONS OF AUSTRALIAN WEIGHING EQUIPMENT



Australian Weighing  
Equipment - Sydney Office

8 Heald Road  
Ingleburn NSW 2565



Australian Weighing  
Equipment - Melbourne Office

37 Barrie Road  
Tullamarine, VIC, 3043



Australian Weighing  
Equipment - Brisbane Office

7 Darnick Street  
Underwood, QLD1 4119

## ■ AUSTRALIAN WEIGHING EQUIPMENT ON SOCIAL MEDIA



@AustralianWeighingEquipment



@australianweighingequipment



/company/awegrouppaustralia



www.youtube.com/AustWeighing



www.awe.com.au

Dealer's Information:

SCAN HERE



www.awe.com.au

Brochure: 150920  
Version: 140820