



**AUSTRALIAN
WEIGHING
EQUIPMENT**
Way ahead in Weighing

PRODUCT GUIDE

AET-1 TENSION LOAD CELL

The ideal high precision crane scale with top shackle & bottom hook.





AET-1 Tension Load Cell

■ FEATURES



The AET-1 Tension Load Cell has been designed as a crane scale with high precision, strong overload protection capability and anti-deflective loading. AET-1 Tension Load Cell has purpose-built ring & hook, so its easy to install.

- Special load cell for use with crane scales.
- Simple to install.
- Ideal for hostile environment.
- High precision
- Strong anti-deflective loading
- Good shock resistance

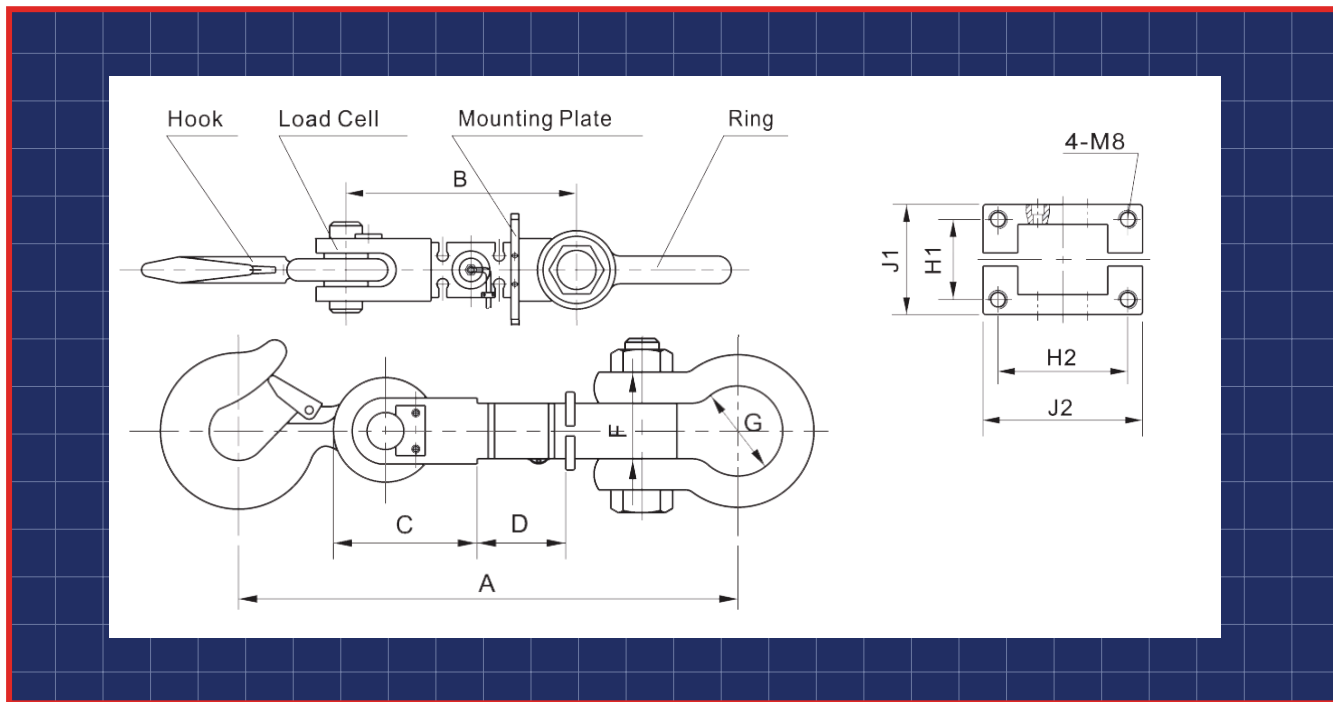
■ SPECIFICATIONS

AET-1 Tension Cell Specifications	
Rated Output (mV/m)	1.5 ± 0.010
Nonlinearity	± 0.02%FS
Hysteresis	± 0.02%FS
Reapeatably	± 0.01%FS
Creep(30minutes)	± 0.02%FS
Zero Balance	± 1.00%FS
Temperature Effect on Zero	± 0.02%FS/10°C
Temperature Effect on Output	± 0.02%FS/10°C
Input Resistance (Ω)	765 ± 15
Output Resistance (Ω)	700 ± 5
Insulation Resistance	≥ 5000M Ω
Exciting Voltage	10V(DC/AC)
Compensated Temperature Range	-10°C~ to +50°C
Operating Temperature Range	-20°C~ to +60°C
Safe Overload	300%FS
Cable	φ 4X0.5(1.0)m
Cable Colour Code	Input: Red (+) Black (-)Output: Green (+) White (-)



AET-1 Tension Load Cell

■ DIMENSIONS



Capacity	Size mm								
t	A	B	C	D	E	F	G	H1xH2	J1xJ2
1-3	443.0	260.0	98.0	110.0	56.0	43.0	68.0	60x70	74x84
5	547.0	303.0	118.0	120.0	68.0	54.0	92.0	65x90	85x110
10	611.0	325.0	133.0	130.0	80.0	60.0	99.0	76x110	100x130
20	740.0	354.0	158.0	148.0	106.0	70.0	146.0	80x130	10x160
30	911.0	436.0	188.0	170.0	102.0	80.0	184.0	96x136	120x160

Order Code	Description
AET-1-SS-1T	AET-1 1 Tonne Stainless Steel Tension Load Cell, Ideal For High Precision Crane Scale,, With Top Shackle & Bottom Hook
AET-1-NP-2T	AET-1 2 Tonne Nickel Plated Tension Load Cell, Ideal For High Precision Crane Scale, With Top Shackle & Bottom Hook
AET-1-NP-3T	AET-1 3 Tonne Nickel Plated Tension Load Cell, Ideal For High Precision Crane Scale, With Top Shackle & Bottom Hook
AET-1-NP-5T	AET-1 5 Tonne Nickel Plated Tension Load Cell, Ideal For High Precision Crane Scale, With Top Shackle & Bottom Hook
AET-1-NP-20T	AET-1 20 Tonne Nickel Plated Tension Load Cell, Ideal For High Precision Crane Scale, With Top Shackle & Bottom Hook



AET-1 Tension Load Cell

Loadcell Type & Model	Application	Capacity Range	EP Rating	Material	Sealing	Full Load Output	Input Resistance	OutPut Resistance
Bending Beam GSPE-7	Most commonly used in harsh manufacturing environments on belt scales and small hoppers.	10kg-1000kg	IP68	17-4PH Stainless Steel	Hermetically Sealed	2.0mV/V ± 0.10%	400 Ω ± 10 Ω	352 Ω ± 2 Ω
Compression GSGY-1	Widely used in truck scales, railroad scale, crane scale	0.5 t - 100 t	IP68	Steel Stainless 17-4PH	Hermetically Sealed	4.0mV/V ± 0.15%	765 Ω ± 15 Ω	700 Ω ± 5 Ω
GSGY-3	Widely used in truck scales, railroad scales, hopper scales and various other special scales	0.5 t - 100 t	IP68	Steel Stainless 17-4PH	Hermetically Sealed	4.0mV/V ± 0.15%	765 Ω ± 15 Ω	700 Ω ± 5 Ω
Double Shear Beam GSGF-1	Widely used in truck scales, hopper scales	10 t - 50 t		Steel Stainless 17-4PH		2.0mV/V ± 0.10%	770 Ω ± 10 Ω	700 Ω ± 3 Ω
GSGF-2	Suitable for hopper scale			Steel Stainless 17-4PH		3.0mV/V ± 0.01%	770 Ω ± 10 Ω	700 Ω ± 3 Ω
Load Pins GSLP	Typical applications include replacement for shackle pins, clevis pins & pulley shafts available in any size cranes, specialised applications where standard loadcells cannot be used.			Steel Tool Stainless 17-4PH		1.0mV/V ± 0.10%	385 Ω ± 10 Ω	350 Ω ± 3 Ω
Pressure Transducers GSPT	Suitable for Forklifts, Loader, Trucks, or typical hydraulic applications	-1,000PSI -10,000PSI		Steel Stainless 17-4PH		2.0mV/V ± 0.10%	385 Ω ± 10 Ω	350 Ω ± 3 Ω
S Type GSMS-1	Suitable for scales, crane scales, hopper scales and various special scales	5 kg - 20 t		Steel Stainless 17-4PH		2.0mV/V ± 0.10%	485 Ω ± 10 Ω	350 Ω ± 3 Ω
Shear Beam GS-AGX-1	Suitable for hopper scale	50kg - 20,000kg	IP68	Steel Stainless 17-4PH	Hermetically Sealed	2.0mV/V ± 0.1%	385 Ω ± 10 Ω	385 Ω ± 10 Ω
GS2107		25kg - 5,000kg	IP68	Steel Stainless 17-4PH	Hermetically Sealed	2.0mV/V ± 0.1%	385 Ω ± 10 Ω	
GS2102				Steel Stainless 17-4PH				
Single Point GSPE-1	Suitable for electronic scales, table top scales, Platform scales and other small capacity electronic	0.3 kg - 250 kg		Aircraft Grade Aluminium		1.0mV/V ± 0.10% (1.3kg)	410 Ω ± 10 Ω	350 Ω ± 3 Ω
GSPE-2	Suitable for electronic platform scale	3 kg - 100 kg		Aircraft Grade Aluminium		2.0mV/V ± 0.20%	410 Ω ± 10 Ω	350 Ω ± 3 Ω
GSPE-5	Suitable for electronic platform scale	50 kg - 1000 kg		Aircraft Grade Aluminium		2.0mV/V ± 0.20%	410 Ω ± 10 Ω	350 Ω ± 3 Ω
Tension GSET-1	Special load cell for crane scale	1 t - 30 t		Alloy Steel		1.5mV/V ± 0.01	765 Ω ± 15 Ω	700 Ω ± 5 Ω
GSET-4	Specifically designed for weighing heavy duty products while lifting	1T - 10T	IP67	Alloy Steel	Potted Welded	1.5mV/V ± 0.015	385 Ω ± 10 Ω	350 Ω ± 3 Ω
Weighbridge GSCA	Ideal for multiple load cell compression applications such as Weighbridges, railroad track scales & heavy duty tank weighing systems		IP68	17-4PH Stainless Steel	Hermetically Sealed	2.0mV/V ± 0.10%	1150 Ω ± 12 Ω	1050 Ω ± 10 Ω



AET-1 Tension Load Cell

■ AWE - THE BEST IN THE BUSINESS

AWE has built a reputation in providing world class products and services to customers from a wide range of industries for many unique applications. All the products come with AWE Quality Guarantee- giving you the assurance that they have been tested to meet or exceed the specifications and requirements of your application. At AWE, it's more than just delivering perfectly-designed equipment, it also requires a team of dedicated people who will back you up with great service and support. Any servicing, installation and technical support issues you encounter can be addressed either onsite or remotely by our engineers and tradesmen who carry qualifications as:

- Licensed Tradesmen
- Mechanical Engineers
- Electrical Engineers
- Structural Engineers
- Draftsmen
- Fitter & Turners
- Boilermakers
- Fully Qualified Scale Makers
- Electronic Technicians
- Instrument Fitters
- Electricians
- Service Technicians
- Project Managers
- Formworkers
- Concreters

Call AWE today.



If you have questions about

- **weighing equipment**
- **packaging equipment**
- **bulk materials handling**
- **componentry**

call the sales team at *AWE Group* to find the right solution for your individual needs.

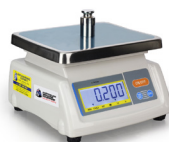
■ AWE PRODUCT RANGE



Weighbridges



Load Cells



Scales



Crane Scales



Indicators



Packaging Equipment



Onboard Weighing



Batching Consoles



Test Weight



Maintenance



■ WHO IS “AUSTRALIAN WEIGHING EQUIPMENT GROUP”

Jeff & Trevor Baillie started Australian Weighing Equipment (or AWE) in 1981, focusing on weighing solutions based on engineering principles. For nearly 40 years AWE has built its reputation as a leading supplier of robust weighing, packaging & bulk handling equipment. Our innovative engineering and continuous product developments have led to designs that will stand up to the rigours and demands of your applications.

AWE has increased its investment in manufacturing facilities with a new 3,200sq/m factory in Sydney which has

- A CNC Machine Shop
- Heavy Metal Fabrication Shop
- Larger work areas for our team of qualified tradesman

Acquisitions of Bradwood Packaging and Dendy Packaging and Design Engineering has increased our packaging and engineering experience.

In 2008, AWE established a manufacturing facility in China - AWE Group Packaging and Bulk Materials Handling Equipment, a purpose-built 5,000sq/m factory in Suzhou China (70kms From Shanghai).

All of the products we offer are Australian designed and manufactured under our strict quality control system in our own factories both locally and internationally.

■ LOCATIONS OF AUSTRALIAN WEIGHING EQUIPMENT



Australian Weighing
Equipment - Sydney Office

8 Heald Road
Ingleburn NSW 2565



Australian Weighing
Equipment - Melbourne Office

37 Barrie Road
Tullamarine, VIC, 3043



Australian Weighing
Equipment - Brisbane Office

7 Darnick Street
Underwood, QLD1 4119

■ AUSTRALIAN WEIGHING EQUIPMENT ON SOCIAL MEDIA



@AustralianWeighingEquipment



@australianweighingequipment



/company/awegrouppaustralia



www.youtube.com/AustWeighing



www.awe.com.au

Dealer's Information:

SCAN HERE



www.awe.com.au

Brochure: 150920
Version: 140820