



**AUSTRALIAN
WEIGHING
EQUIPMENT**
Way ahead in Weighing

PRODUCT GUIDE

GS120 LARGE LED INDICATOR

Large High Visibility Indicator suited for Weighbridges
and Overhead cranes.





■ FEATURES

- Tested in all weather conditions, indoor and outdoor. Very high thermal stability
- Extra large high intensity LED display allows for easy viewing at a distance up to 120 metres and 120° viewing angle
- High-speed + high accuracy: suited for weighing, batching & level measurement operations
- Isolated RS232 or RS485/422 serial inputs, counter inputs. Analogue: 4-20mA/0-10V
- Intuitive text prompts for easy set up
- Remote Inputs (requires external devices)
- 3 x 5A relays for Stop/Go Lights or Centre of Zero Light
- Display in kg, g, t, lb, N, Kn, P.S.I, Bar
- Customisable inputs to suit your application



Overhead crane applications



Weighbridge application for drivers to check load weight

■ IDEAL USES

- Overhead cranes
- Concrete batching plant
- Weighbridges
- Silo & tank weighing
- Used where industrial construction is essential e.g. hopper, tank & silo weighing in hostile environments
- Pulse counter in any counting application



■ **SPECIFICATIONS**

PERFORMANCE	
Power Consumption	40W (max)
Interface	20mA current loop, RS232, RS422/485
Character Input Format	All standard ASCII characters
Display	4-digit, 5-digit, 6-digit LED Extra Large, 180mm by 78mm wide each digit which contains 68 hi-density, wide angle LEDs arranged into dual rows for improved digit definition. Status annunciators Motion, Centre of Zero and Net are available on some models.
Viewing Range	Up to 120 metres
Viewing Angle	120 Degrees
Operating Environment	Temp 0°C to +50°C, humidity <90% non-condensing
Ambient Temperature	-10° to +65°C
Ambient Humidity	5% - 95% v
DIGITAL	
Easy Setup	Fully automatic for GS Indicators and most popular brands, using appropriate strings. Semi-automatic for other compatible brands.
Memory Retention	Full non-volatile operation
Units	Display in kg, g, t, lb, N, Kn, P.S.I. bar - any units (Standard Adhesive Stickers supplied for g, kg,t)
SERIAL COMMUNICATION	
Data Port 1	RS232 two-wire (receive only) 20mA two-wire serial current loop (receive only) RS485/422 two-wire (receive only)
Data Port 2 (Optional)	RS232 Isolated Serial Input/Output RS485 Isolated Serial Input/Output Analogue output 0-10V/4-20mA
Power Supply	(STD) Standard: 100-240V AC, 127-370V DC (ACL) AC Low: 13-25V AC (ACM) AC Medium: 26-50V AC (DCH) DC High: 36-72V DC (DCM) DC Medium: 18-36V DC (DCL) DC Low: 9.2-18V DC



■ **SPECIFICATIONS**

HOUSING ENCLOSURE	
Enclosure Rating	IP65
Body Size	707mm (L) x 188mm (H) x 95mm (D) (Standard Unit comes with 5 digits)
Display Window	Hardened Glass, 671mm x 141mm
Weight	3.4kg
Construction	Powder-coated and anodised aluminium extrusion
PRODUCT FEATURES	
Remote Inputs	3 x user configurable inputs
Status Annunciators	Centre of Zero, Motion and Net modes (optional)
Decimal Point Position	Assigned in Indicator
Approvals	Complies with S1/0/B for auxiliary devices C-Tick (N2708) CE FCC
MOUNTING ACCESSORIES	
Supplied	Wall-mounting Clips supplied
Add-On Options	Weather Hoods, Post & Pole-mounting Plates, Swivel Mounting Kit





■ **ORDER CODES**

PART NUMBER		SIGNAL INPUT (SELECT ONE)	
GS120-232		LED large display with RS232 signal input	
GS120-485		LED large display with RS485 signal input	
GS120-422		LED large display with RS422 signal input	
GS120-CL		LED large display with 20mA current loop input	
POWER INPUT (SELECT ONE)			
STD		100-240V AC / 127-370V DC	
DCL		9.2-18V DC	
DCM		18-36V DC	
DCH		36-72V DC	
ACL		13-25V AC	
ACM		26-50V AC	
INPUTS/OUTPUTS (SELECT ONE IF REQUIRED) COM 2			
232		RS232 isolated serial input/output	
485		RS485 isolated serial input/output	
A		Analogue output 0-10V/4-20mA	
DISPLAY OPTIONS (SELECT ONE)			
R4		Red LED digits x 4	
R5		Red LED digits x 5	
R6		Red LED digits x 6	
DISPLAY OPTIONS			
Z		Red LED annunciators for center of zero, motion flag and net symbol	
T		Red/green LED traffic lights	



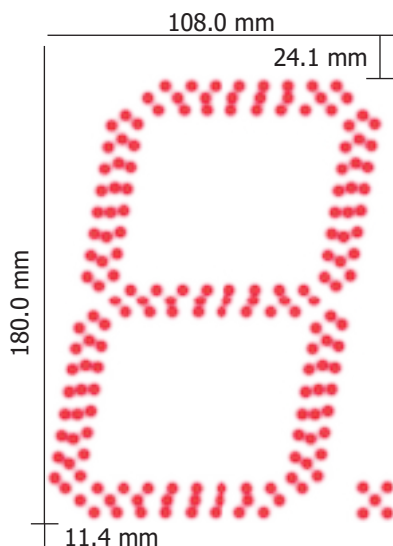
5 digit display

Sample order code: **GS120-232-STD-A-R5T**

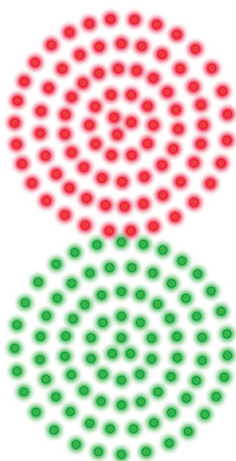
*GS120 with RS232 signal input, STD Power input,
additional analog output and five digits plus traffic light*



■ **DISPLAY CHARACTERS**



Red LED digits
4, x 5 or x 6 connected



LED traffic light
red (top), green (bottom)



Annunciators for center of zero
(middle), motion flag (top) and
net (bottom)

■ **ADD-ON OPTIONS**

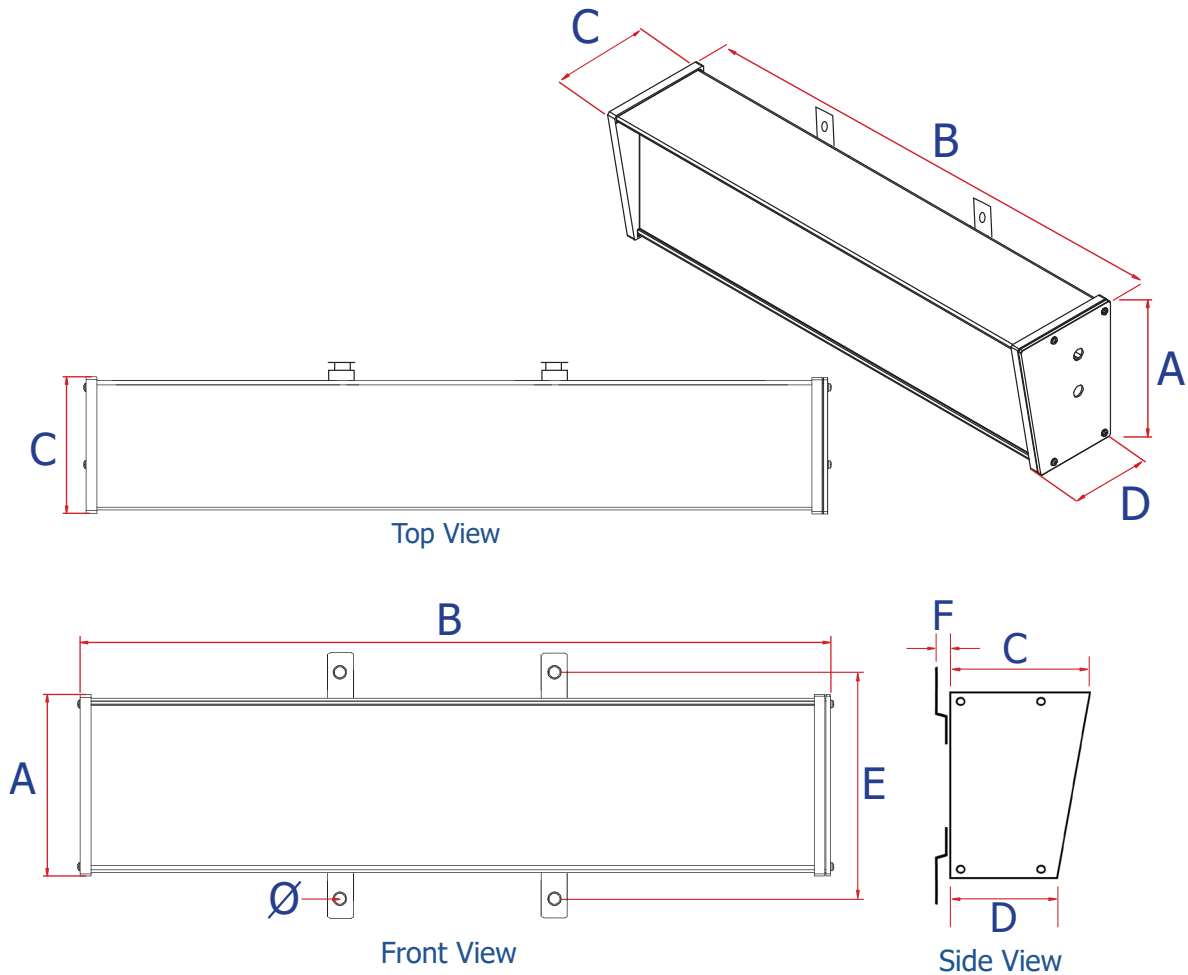
- 4, 5 or 6 digit annunciators
- Red and green traffic control lights
- Annunciator for centre of zero, motion, and net
- Mounting kits (wall or pole)
- Weather proof hoods
- RS232 isolated serial input/output (Com 2)
- RS485 isolated serial input/output (Com 2)
- 4-20mA/0-10V analog output (Com 2)



The GS120 indicator in action on weighbridges
& overhead cranes



■ DIMENSIONS



Dimension table (mm)					
Dimension	4 Digits	5 Digits	6 Digits	7 Digits	8 Digits
A	203	203	203	203	203
B	606	716	821	929	1037
C	155	155	155	155	155
D	120	120	120	120	120
E	250	250	250	250	250
F	15	15	15	15	15
Ø	10	10	10	10	10



■ **AWE - THE BEST IN THE BUSINESS**

AWE has built a reputation in providing world class products and services to customers from a wide range of industries for many unique applications. All the products come with AWE Quality Guarantee- giving you the assurance that they have been tested to meet or exceed the specifications and requirements of your application. At AWE, it's more than just delivering perfectly-designed equipment, it also requires a team of dedicated people who will back you up with great service and support. Any servicing, installation and technical support issues you encounter can be addressed either onsite or remotely by our engineers and tradesmen who carry qualifications as:

- Licensed Tradesmen
- Mechanical Engineers
- Electrical Engineers
- Structural Engineers
- Draftsmen
- Fitter & Turners
- Boilermakers
- Fully Qualified Scale Makers
- Electronic Technicians
- Instrument Fitters
- Electricians
- Service Technicians
- Project Managers
- Formworkers
- Concreters

Call AWE today.



If you have questions about

- **weighing equipment**
- **packaging equipment**
- **bulk materials handling**
- **componentry**

call the sales team at *AWE Group* to find the right solution for your individual needs.

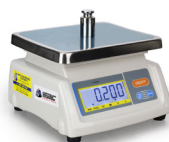
■ **AWE PRODUCT RANGE**



Weighbridges



Load Cells



Scales



Crane Scales



Indicators



Packaging Equipment



Onboard Weighing



Batching Consoles



Test Weight



Maintenance



■ WHO IS “AUSTRALIAN WEIGHING EQUIPMENT GROUP”

Jeff & Trevor Baillie started Australian Weighing Equipment (or AWE) in 1981, focusing on weighing solutions based on engineering principles. For nearly 40 years AWE has built its reputation as a leading supplier of robust weighing, packaging & bulk handling equipment. Our innovative engineering and continuous product developments have led to designs that will stand up to the rigours and demands of your applications.

AWE has increased its investment in manufacturing facilities with a new 3,200sq/m factory in Sydney which has

- A CNC Machine Shop
- Heavy Metal Fabrication Shop
- Larger work areas for our team of qualified tradesman

Acquisitions of Bradwood Packaging and Dendy Packaging and Design Engineering has increased our packaging and engineering experience.

In 2008, AWE established a manufacturing facility in China - AWE Group Packaging and Bulk Materials Handling Equipment, a purpose-built 5,000sq/m factory in Suzhou China (70kms From Shanghai).

All of the products we offer are Australian designed and manufactured under our strict quality control system in our own factories both locally and internationally.

■ LOCATIONS OF AUSTRALIAN WEIGHING EQUIPMENT



Australian Weighing
Equipment - Sydney Office

8 Heald Road
Ingleburn NSW 2565



Australian Weighing
Equipment - Melbourne Office

37 Barrie Road
Tullamarine, VIC, 3043



Australian Weighing
Equipment - Brisbane Office

7 Darnick Street
Underwood, QLD1 4119

■ AUSTRALIAN WEIGHING EQUIPMENT ON SOCIAL MEDIA



@AustralianWeighingEquipment



@australianweighingequipment



/company/awegrouppaustralia



www.youtube.com/AustWeighing



www.awe.com.au

Dealer's Information:

SCAN HERE



www.awe.com.au

Brochure: 150920
Version: 140820