

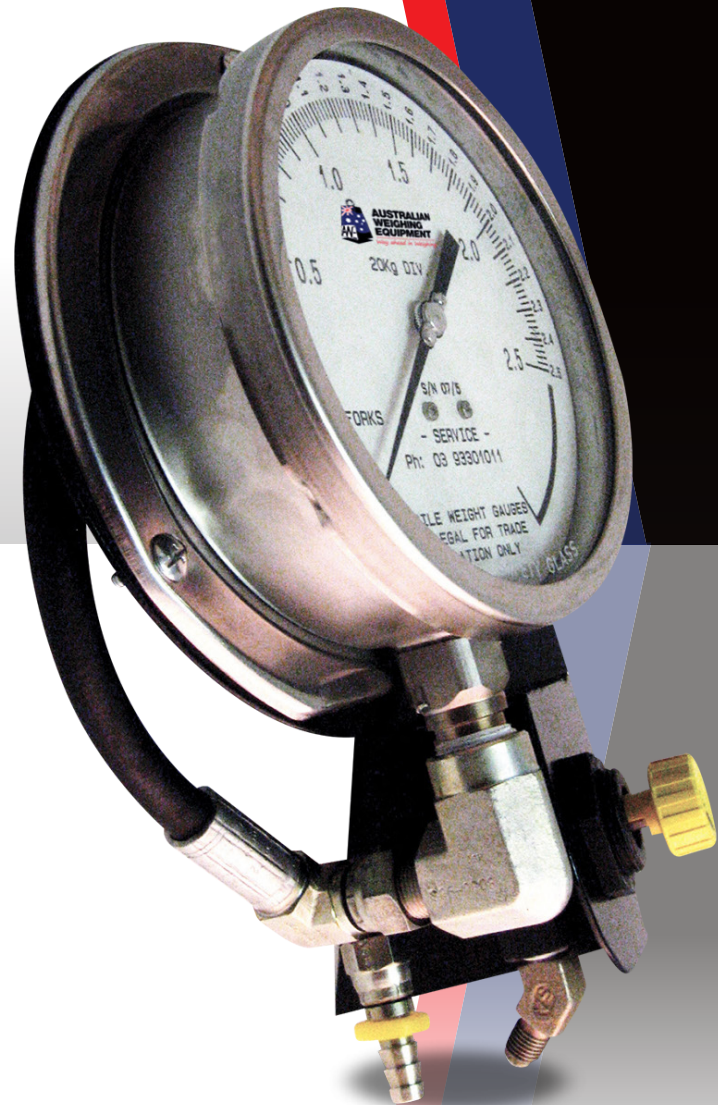


**AUSTRALIAN
WEIGHING
EQUIPMENT**
Way ahead in Weighing

PRODUCT GUIDE

FREIGHT MATE

- Heavy-duty construction
- Solidly mounted bracket
- Low cost installation and price





■ ABOUT THE FREIGHT MATE

The 'FREIGHT MATE' onboard weighing system is our low cost mechanical solution for check weighing. It displays an instant weight reading of any lifted load on a large, easy to read 150mm dial.

You can rely on this system to perform accurately and reliably on most forklifts and reach trucks thanks to its heavy duty construction.

The benefits of fitting a Freight Mate weigher to your machinery include:

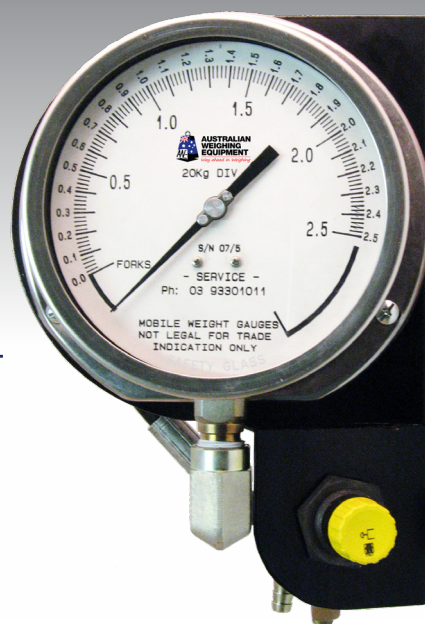
- Improved safety and comply with CoR requirements
- Increased business efficiency
- Eliminate overload fines
- Avoid under/over loading trucks
- Reduce trips to the weighbridge
- Check incoming/outgoing goods
- Eliminate machinery and racking overload

■ FEATURES

- Accuracy $\pm 1\%$ forklift capacity
- No loss of lifting capability
- Solidly mounted bracket
- Mechanical / Hydraulic Solution
- Ease Of Integration
- Maintenance free
- Australian design
- Easy change over
- Low cost install
- Gauge & Tube Stainless Steel Construction
- Savings in Weighing on the spot



- Improve safety
- Low install costs
- Low purchase price
- Eliminate Overload Fines
- Check consignment weights
- Perfect for Wet & Dusty environments
- Reduce under/over loading trucks
- Reduce trips to the weighbridge
- Check incoming/outgoing goods
- Eliminate machinery and racking overload
- Heavy Duty Construction





■ HOW IT WORKS

The 'Freight Mate' uses a Bourdon tube which measures hydraulic pressure - a method widely acclaimed for its superior sensitivity, linearity, and accuracy.

A Bourdon tube is a curled-up, flattened metal tube with the base-end held fixed near the pressure inlet while the tip-end is free to move. Any pressure inside the tube tends to unflatten the cross-section which strains the Bourdon tube tip to straighten. Any movement in the tip is sensed by a linkage that is attached to the indicator mechanism and drives the needle to display a weight measurement on the gauge.

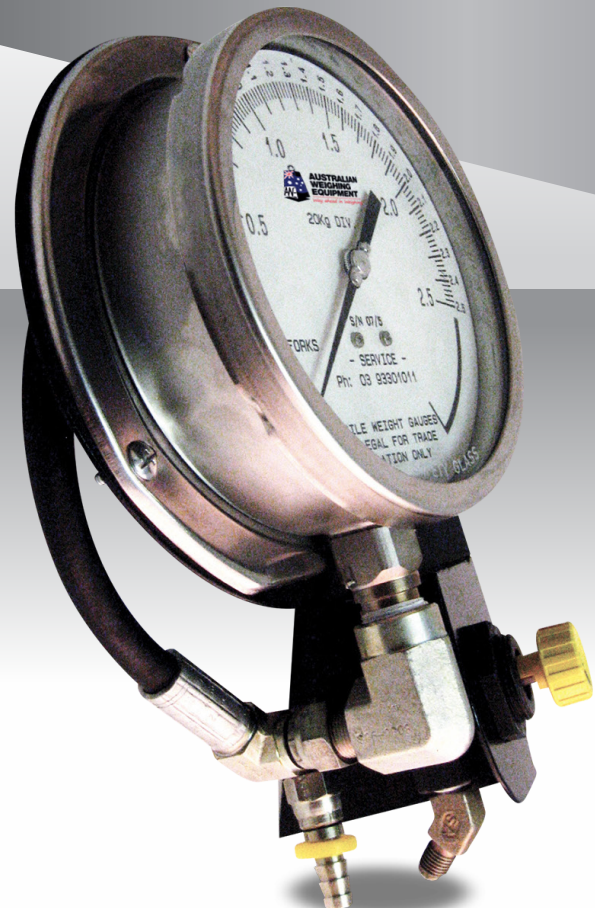
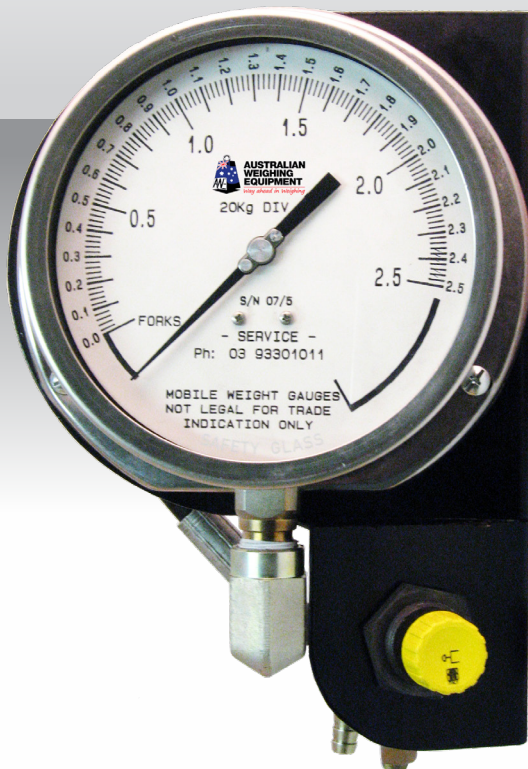
■ APPLICATIONS

- Weighing
- Improve Safety

■ SUITABLE VEHICLE

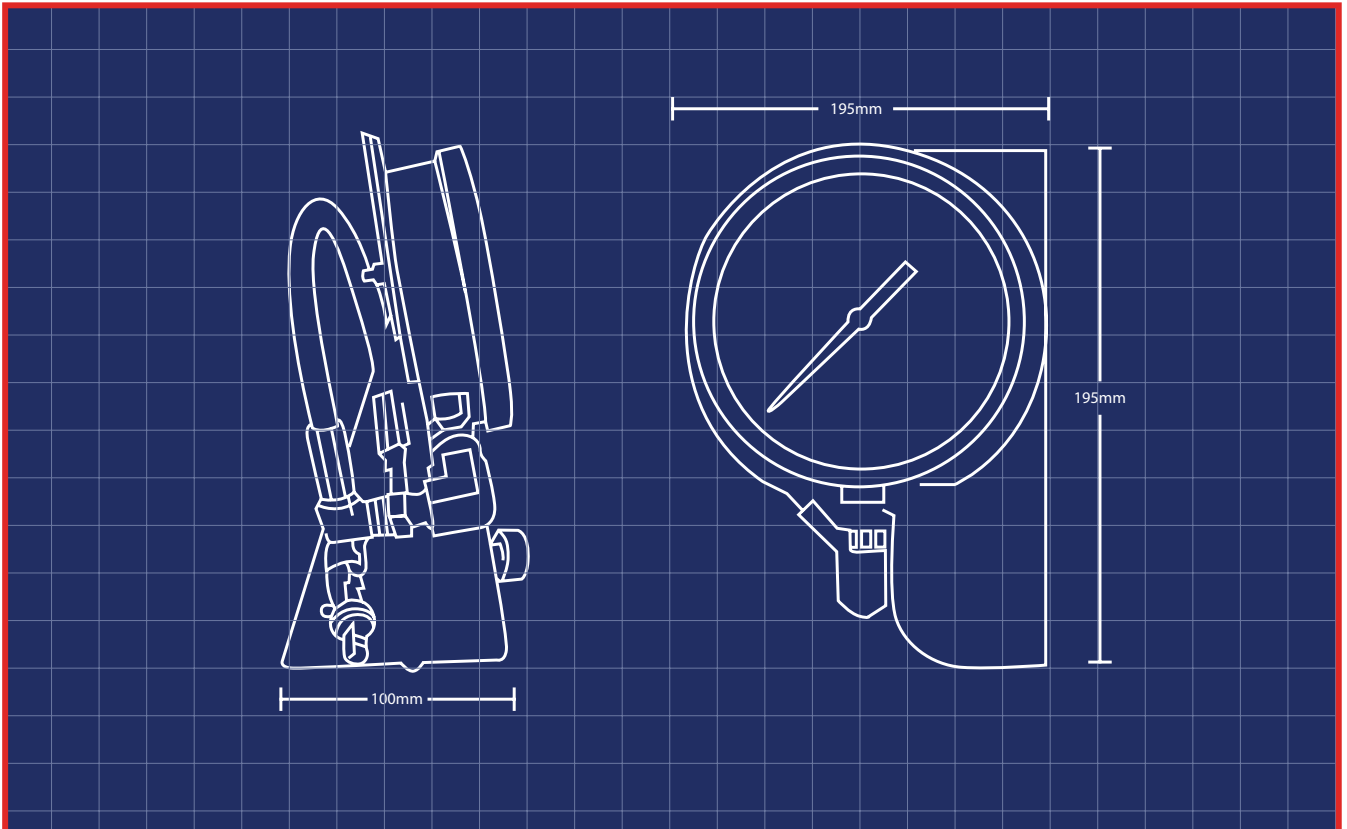
- Forklift
- Reach Truck

Prevent losing
valuable products,
avoid overloading
and **save time**
by weighing on
the spot.





■ DIMENSIONS



■ SPECS

Order	
Capacity	Suitable for most forkliftloaders and skidsteers
Resolution	10, 20, 25, 50, 100 or 200 selectable
Accuracy	±1% of capacity (e.g. if lift capacity is 1000kg then accuracy is 10kg)
Gauge Housing	150mm diameter, all stainless construction
Overload	Overload and underload stops available
Manufacture	Substantially Australian (80%)
Warranty	Six (6) months parts and labour
Recalibration	Recommended six (6) monthly if required
Fitting Time	Four (4) hours maximum
Other	Suitable for flame proof areas
Option	12 months on instrument and sensors
Warranty	6 months on calibration
Approvals	Non Trade Use
Temperature	Temperature compensated for large temperature changes



■ **AWE - THE BEST IN THE BUSINESS**

AWE has built a reputation in providing world class products and services to customers from a wide range of industries for many unique applications. All the products come with AWE Quality Guarantee- giving you the assurance that they have been tested to meet or exceed the specifications and requirements of your application. At AWE, it's more than just delivering perfectly-designed equipment, it also requires a team of dedicated people who will back you up with great service and support. Any servicing, installation and technical support issues you encounter can be addressed either onsite or remotely by our engineers and tradesmen who carry qualifications as:

- Licensed Tradesmen
- Mechanical Engineers
- Electrical Engineers
- Structural Engineers
- Draftsmen
- Fitter & Turners
- Boilermakers
- Fully Qualified Scale Makers
- Electronic Technicians
- Instrument Fitters
- Electricians
- Service Technicians
- Project Managers
- Formworkers
- Concreters

Call AWE today.



If you have questions about

- **weighing equipment**
- **packaging equipment**
- **bulk materials handling**
- **componentry**

call the sales team at *AWE Group* to find the right solution for your individual needs.

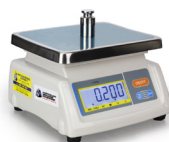
■ **AWE PRODUCT RANGE**



Weighbridges



Load Cells



Scales



Crane Scales



Indicators



Packaging Equipment



Onboard Weighing



Batching Consoles



Test Weight



Maintenance



■ WHO IS “AUSTRALIAN WEIGHING EQUIPMENT GROUP”

Jeff & Trevor Baillie started Australian Weighing Equipment (or AWE) in 1981, focusing on weighing solutions based on engineering principles. For nearly 40 years AWE has built its reputation as a leading supplier of robust weighing, packaging & bulk handling equipment. Our innovative engineering and continuous product developments have led to designs that will stand up to the rigours and demands of your applications.

AWE has increased its investment in manufacturing facilities with a new 3,200sq/m factory in Sydney which has

- A CNC Machine Shop
- Heavy Metal Fabrication Shop
- Larger work areas for our team of qualified tradesman

Acquisitions of Bradwood Packaging and Dendy Packaging and Design Engineering has increased our packaging and engineering experience.

In 2008, AWE established a manufacturing facility in China - AWE Group Packaging and Bulk Materials Handling Equipment, a purpose-built 5,000sq/m factory in Suzhou China (70kms From Shanghai).

All of the products we offer are Australian designed and manufactured under our strict quality control system in our own factories both locally and internationally.

■ LOCATIONS OF AUSTRALIAN WEIGHING EQUIPMENT



Australian Weighing
Equipment - Sydney Office

8 Heald Road
Ingleburn NSW 2565



Australian Weighing
Equipment - Melbourne Office

37 Barrie Road
Tullamarine, VIC, 3043



Australian Weighing
Equipment - Brisbane Office

7 Darnick Street
Underwood, QLD1 4119

■ AUSTRALIAN WEIGHING EQUIPMENT ON SOCIAL MEDIA



@AustralianWeighingEquipment



@australianweighingequipment



/company/awegrouppaustralia



www.youtube.com/AustWeighing



www.awe.com.au

Dealer's Information:

SCAN HERE



www.awe.com.au

Brochure: 150920
Version: 140820