



**AUSTRALIAN
WEIGHING
EQUIPMENT**
Way ahead in Weighing

PRODUCT GUIDE

WOMBAT COUNTING SCALE

- High accuracy for weighing small pieces
- Water resistant IP54 rating
- Rugged industrial design



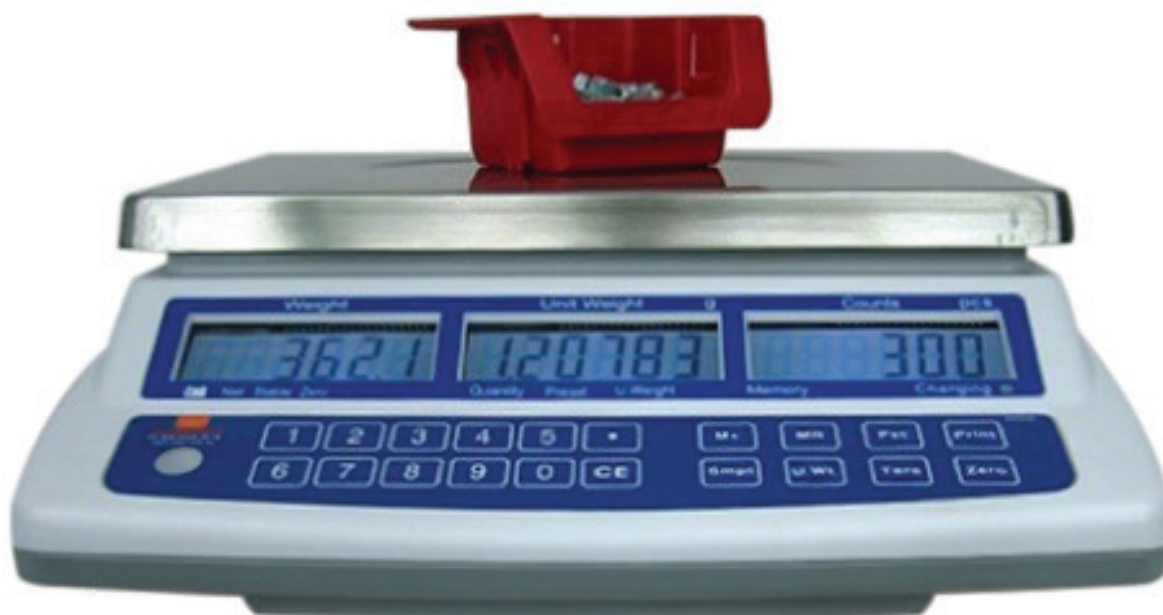


When it comes to counting small objects, the Wombat Counting Scale will increase productivity & reduce your labour costs. Manually counting small pieces can be time consuming and is prone to error. For more accurate and quicker stock inventory management, the Wombat Counting Scale is a must.

FEATURES INCLUDE:

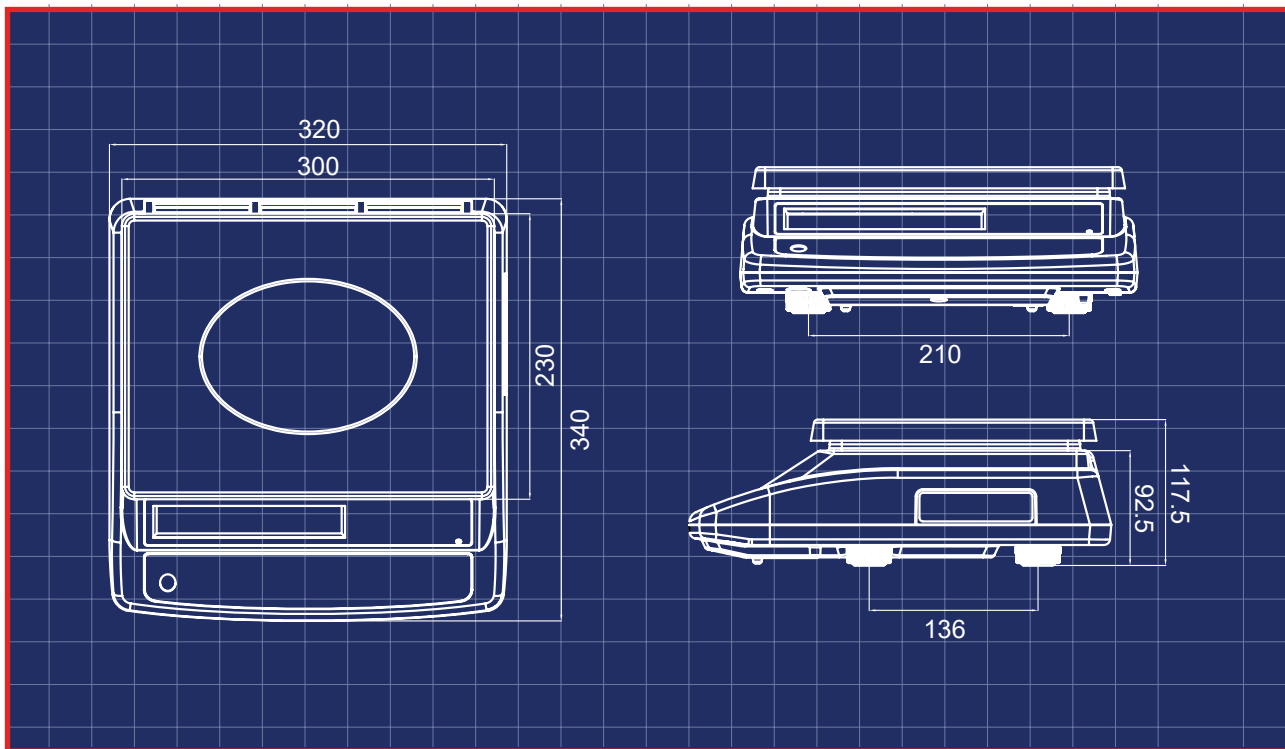
- Capacities from 3kg to 30kg
- Stainless Steel Pan 300mm x 230mm
- Internal Resolution of 1/600,000 means you can accurately weigh very small items
- Responds quickly with accurate weights
- Application programs included: piece counting, preset tare, piece checking alarm, accumulation
- Battery provides up to 70 hours of continuous use (without backlight to save power)

The Wombat
Counting Scale
is the faster &
more accurate
way to count
small pieces





■ DIMENSIONS



■ SPECIFICATIONS

Order Code	WOMBAT-S2-3KG	WOMBAT-S2-6KG	WOMBAT-S2-15KG	WOMBAT-S2-30KG
Capacity	3kg	6kg	15kg	30kg
Resolution	0.1g	0.2g	0.5g	1g
Max Division	30,000d			
Pan Size	230 x 300mm			
Gross Weight	5kg			
Display	20mm digit LCD display, with white LED backlight			
Keyboard	20 keys (Membrane keyboard)			
Housing	ABS Plastic			
Power	AC adapter (12V/500mA), Internal rechargeable battery (6V/3.2Ah)			
ADC Update	≤1/10 second			
Operating Temp	-10°C~+40°C			
Approvals	CE			

■ OPTIONS

Order Code	Description
PS-101	Spare Power Packs for Recharging 12v500mA
	RS232 Interface
	Initial-Verification



■ **AWE - THE BEST IN THE BUSINESS**

AWE has built a reputation in providing world class products and services to customers from a wide range of industries for many unique applications. All the products come with AWE Quality Guarantee- giving you the assurance that they have been tested to meet or exceed the specifications and requirements of your application. At AWE, it's more than just delivering perfectly-designed equipment, it also requires a team of dedicated people who will back you up with great service and support. Any servicing, installation and technical support issues you encounter can be addressed either onsite or remotely by our engineers and tradesmen who carry qualifications as:

- Licensed Tradesmen
- Mechanical Engineers
- Electrical Engineers
- Structural Engineers
- Draftsmen
- Fitter & Turners
- Boilermakers
- Fully Qualified Scale Makers
- Electronic Technicians
- Instrument Fitters
- Electricians
- Service Technicians
- Project Managers
- Formworkers
- Concreters

Call AWE today.



If you have questions about

- **weighing equipment**
- **packaging equipment**
- **bulk materials handling**
- **componentry**

call the sales team at *AWE Group* to find the right solution for your individual needs.

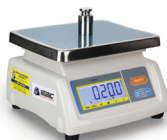
■ **AWE PRODUCT RANGE**



Weighbridges



Load Cells



Scales



Crane Scales



Indicators



Packaging Equipment



Onboard Weighing



Batching Consoles



Test Weight



Maintenance



■ WHO IS “AUSTRALIAN WEIGHING EQUIPMENT GROUP”

Jeff & Trevor Baillie started Australian Weighing Equipment (or AWE) in 1981, focusing on weighing solutions based on engineering principles. For nearly 40 years AWE has built its reputation as a leading supplier of robust weighing, packaging & bulk handling equipment. Our innovative engineering and continuous product developments have led to designs that will stand up to the rigours and demands of your applications.

AWE has increased its investment in manufacturing facilities with a new 3,200sq/m factory in Sydney which has

- A CNC Machine Shop
- Heavy Metal Fabrication Shop
- Larger work areas for our team of qualified tradesman

Acquisitions of Bradwood Packaging and Dendy Packaging and Design Engineering has increased our packaging and engineering experience.

In 2008, AWE established a manufacturing facility in China - AWE Group Packaging and Bulk Materials Handling Equipment, a purpose-built 5,000sq/m factory in Suzhou China (70kms From Shanghai).

All of the products we offer are Australian designed and manufactured under our strict quality control system in our own factories both locally and internationally.

■ LOCATIONS OF AUSTRALIAN WEIGHING EQUIPMENT



Australian Weighing
Equipment - Sydney Office

8 Heald Road
Ingleburn NSW 2565



Australian Weighing
Equipment - Melbourne Office

37 Barrie Road
Tullamarine, VIC, 3043



Australian Weighing
Equipment - Brisbane Office

7 Darnick Street
Underwood, QLD1 4119

■ AUSTRALIAN WEIGHING EQUIPMENT ON SOCIAL MEDIA



@AustralianWeighingEquipment



@australianweighingequipment



/company/awegrouppaustralia



www.youtube.com/AustWeighing



www.awe.com.au

Dealer's Information:

SCAN HERE



www.awe.com.au

Brochure: 150920
Version: 140820