



**AUSTRALIAN  
WEIGHING  
EQUIPMENT**  
*Way ahead in Weighing*

PRODUCT GUIDE

# APE-7 BENDING BEAM LOAD CELL

---





## APE-7 Bending Beam Load Cell



The APE-7 Stainless Steel IP68 Bending Beam load cell has been designed for long-term performance in harsh environments. Part of a wide range of high quality IP68 load cell environment rating, the AWE APE-7 Bending Beam is ruggedly built from the finest stainless steel used for load cell construction.

It allows the use of strong fastening bolts and ruggedly built attachments for secured mounts with its generously sized attachments and finely-bored through holes.

Compliant with Australian & International Standards of measurement, the APE-7 dimensions and mountings enable the easy replacement of other brands in most cases direct hole centres and outputs. Its laser-welded stainless steel construction provides an armor and shield to internal parts ensuring a hermetically sealed unit. It carries an IP68 environment protection rating with its welded seal construct.

The APE-7 load cell is adapted for long-term use and extremely durable to outlast any other competitor in the market today. Its versatility is in demand for weighing now and in the foreseeable future in Australia and across the globe.

A wide selection of accessories is available for our range of load cells. Accessories render your application more cost effective while meeting your requirements for strength and durability.



## **APE-7 Bending Beam Load Cell**

### **■ KEY FEATURES**

- Hermetically Sealed IP68 Rating
- Laser Welded seal construction.
- High Grade 17-4PH Stainless Steel.
- High Accuracy 0.02% Combined Error.
- Matched outputs make corner adjustments unnecessary in most applications.
- International size & mountings.
- Wide range of "purpose designed"
- Stainless Steel fittings and mounts.
- Large Capacity Range - 10kg to 1000kg.
- Load Cells 100% tested to guarantee load & thermal specifications met or exceeded.

### **■ APPLICATIONS**

- All Floor Scales - especially Washdown and Marine Environments.
- Batch weighing in Hostile Environments.
- Hopper Filling and level control.
- Food and Chemical Industry.
- Bagging and Filling Machines.
- Inventory Control - by weight.
- Shipping Scales.
- Non-Trade Scale Conversions.





# APE-7 Bending Beam Load Cell

## ■ SPECIFICATIONS

Capacity	10kg - 1000kg	Environmental Protection Rating	IP68
Safe Service Load	100% Capacity	Material	Stainless Steel
Safe Overload	150% Capacity	Material Grade Load Cell part	17-4PH
Ultimate Load	300% Capacity	Material Grade Protective Bellows	316
Safe Side Load	100% Capacity	Construction	Laser Welded Seal
Full Load Output	2mV/V 0.10%	Input Resistance	400 10
Combined Error	<0.02% FS	Output Resistance	352 2
Non Repeatability	<0.01% FS	Insulation Resistance	>3,000M
Creep/Zero Return (30min)	<0.02% FS	Excitation (Recommended)	10VDC to 12VDC
Zero Balance	<2% FS	Excitation (Maximum)	15VDC
Span temperature effect	<15ppm/C	Cable type	5mm OD 4 core screened.
Zero temperature effect	<26ppm/C	Cable length	3 metres.
Compensated Range	-10 C to +40 C		
Operating Range	-18 C to +65 C		

## ■ DESCRIPTION AND ORDERING

The A.W.E./Mechtronix APE-7 Stainless Steel IP68 Bending Beam load cells have been designed from the ground up to offer class leading long term performance in harsh environments. It is part of a very large range of high quality load cells manufactured by joint venture partners AWE and Mechtronix. The APE-7 Bending Beam is ruggedly built of the best stainless steel used for load cell construction. - type 17-4PH. It has generously sized attachment through holes to allow the use of strong ring bolts and ruggedly built attachments and mounts. Its International "standard" dimensions and mountings enable the easy replacement of other brands with the APE-7.

The APE-7 welded seal construction assures users of its IP68 environment protection rating and provides a safe environment for the long term protection of its internal construction. The APE-7 is a load cell for weighing now and in the future.

APE-7010 10kg Stainless IP68 Bending Beam  
 APE-7020 20kg Stainless IP68 Bending Beam  
 APE-7030 30kg Stainless IP68 Bending Beam  
 APE-7050 50kg Stainless IP68 Bending Beam  
 APE-7100 100kg Stainless IP68 Bending Beam  
 APE-7200 200kg Stainless IP68 Bending Beam  
 APE-7300 300kg Stainless IP68 Bending Beam  
 APE-7500 500kg Stainless IP68 Bending Beam  
 APE-71000 1000kg Stainless IP68 Bending Beam

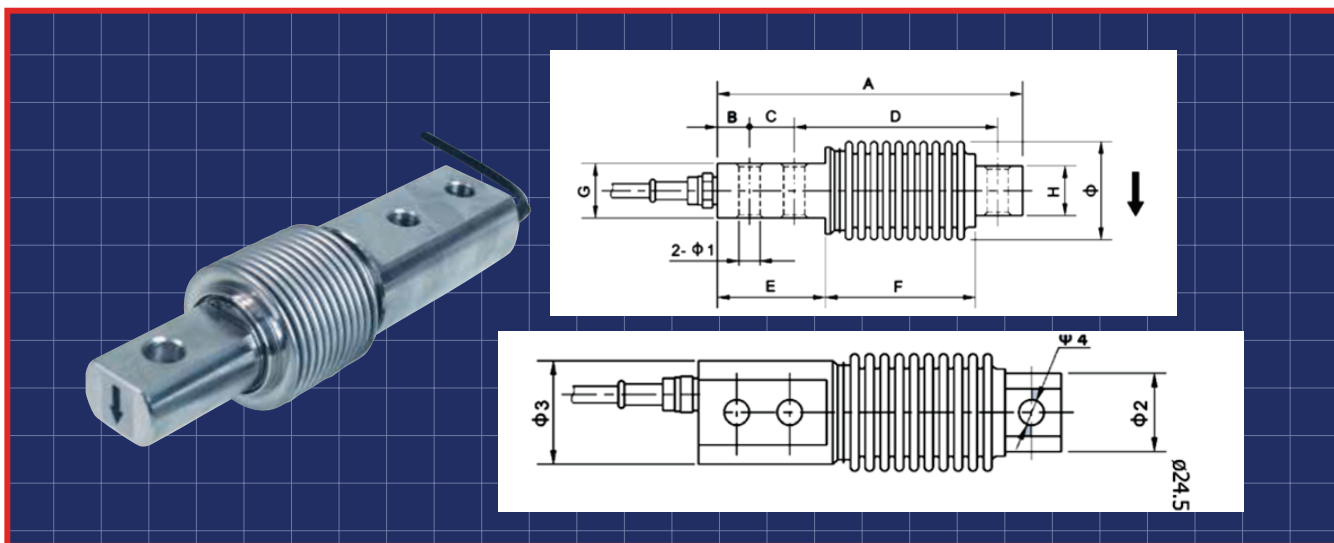
## ■ ACCESSORIES

A wide range of accessories is available for all our range of load cells. They make using the APE-7 in your application easier and more cost effective while meeting your requirements for strength and durability. Refer to the APE-7 shear beam load cell accessories brochure for full details.



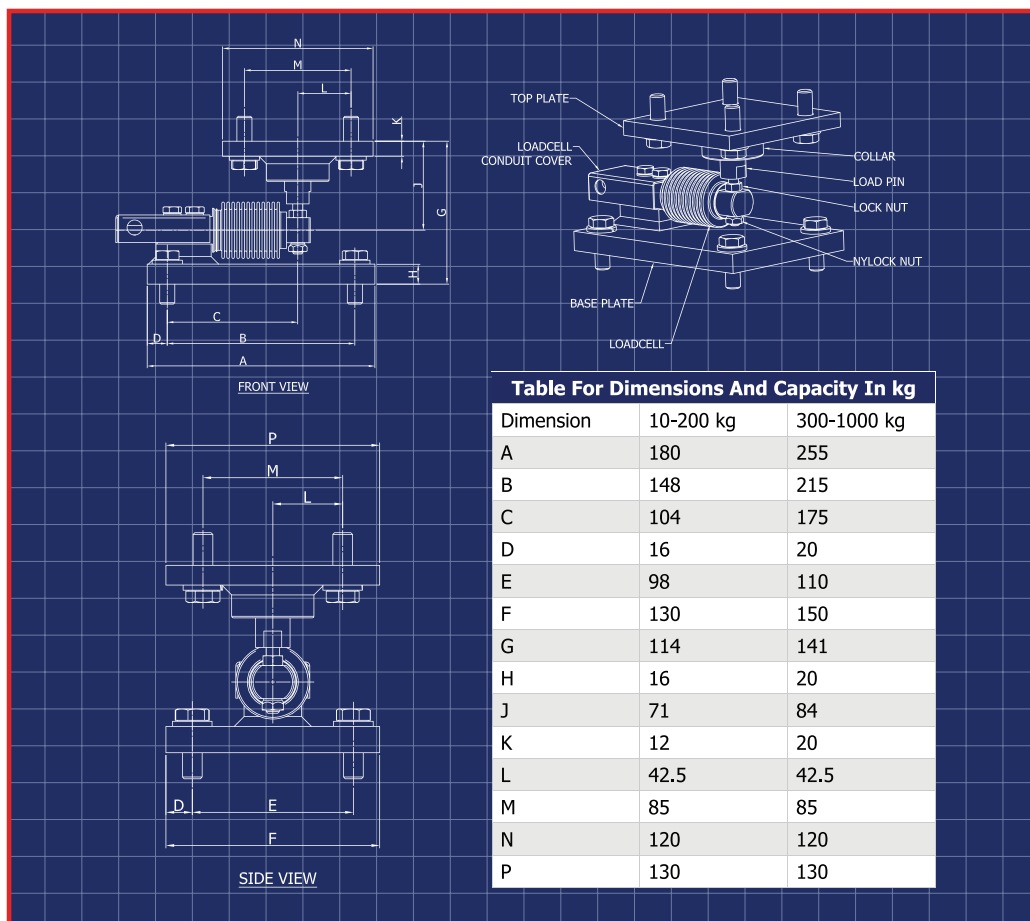
# APE-7 Bending Beam Load Cell

## ■ SPECIFICATIONS



Capacity	Size mm												
kg	A	B	C	D	E	F	G	H	o	o1	o2	o3	w4
10-200	123	13	18	82	46	58	22	20	41	8.5	26	35	8.5
300-1000	210	15	40	133	91	66	34	25	56	13	36	50	14.0

## ■ APE-7-000 (LOAD CELL MOUNT ASSY. PE-7 10-1000KG)



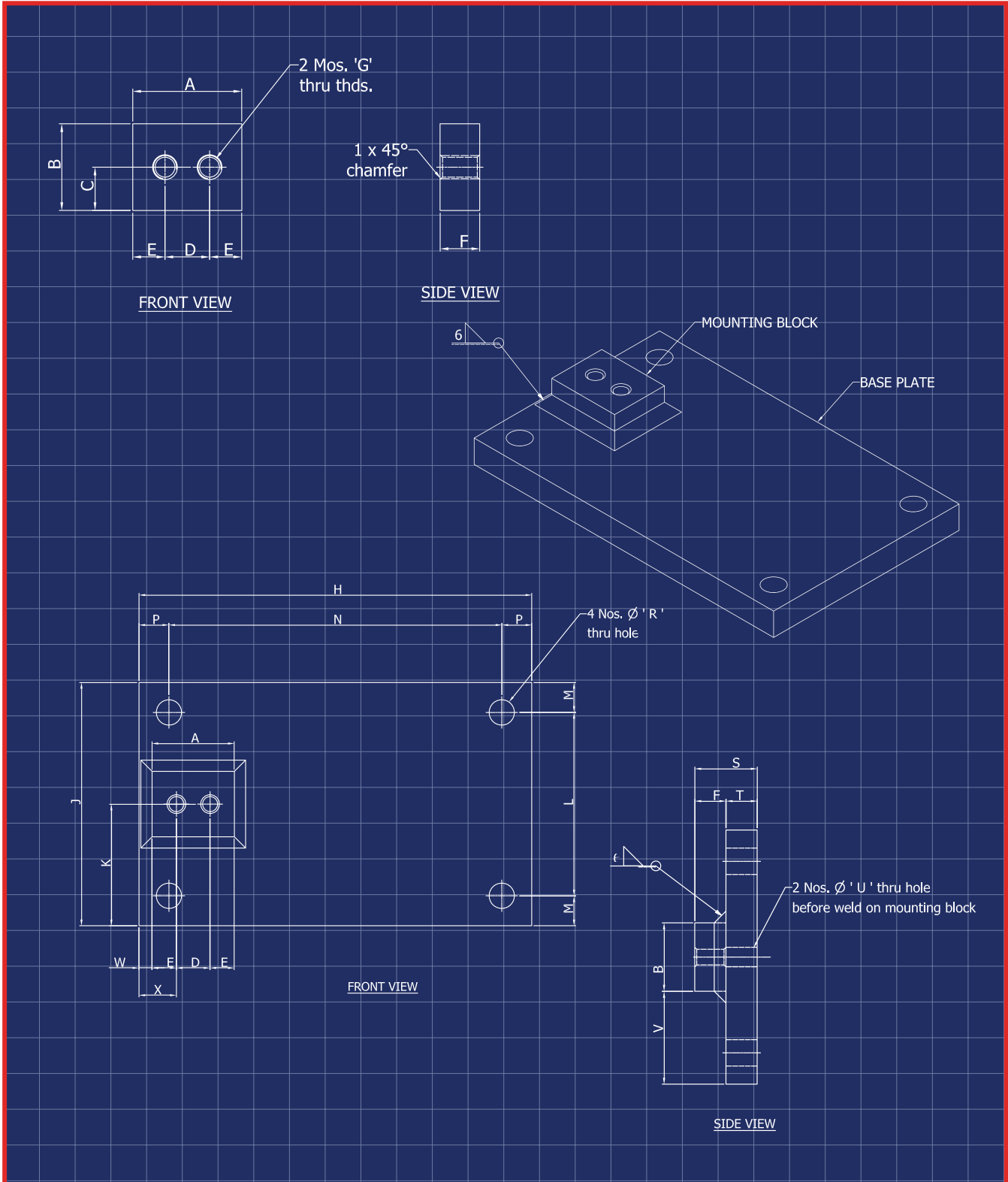
**Table For Dimensions And Capacity In kg**

Dimension	10-200 kg	300-1000 kg
A	180	255
B	148	215
C	104	175
D	16	20
E	98	110
F	130	150
G	114	141
H	16	20
J	71	84
K	12	20
L	42.5	42.5
M	85	85
N	120	120
P	130	130



# APE-7 Bending Beam Load Cell

## ■ APE-7-003 (BASE PLATE ASSY. PE-7 10-1000KG)







# APE-7 Bending Beam Load Cell

## ■ AWE - THE BEST IN THE BUSINESS

AWE has built a reputation in providing world class products and services to customers from a wide range of industries for many unique applications. All the products come with AWE Quality Guarantee- giving you the assurance that they have been tested to meet or exceed the specifications and requirements of your application. At AWE, it's more than just delivering perfectly-designed equipment, it also requires a team of dedicated people who will back you up with great service and support. Any servicing, installation and technical support issues you encounter can be addressed either onsite or remotely by our engineers and tradesmen who carry qualifications as:

- Licensed Tradesmen
- Mechanical Engineers
- Electrical Engineers
- Structural Engineers
- Draftsmen
- Fitter & Turners
- Boilermakers
- Fully Qualified Scale Makers
- Electronic Technicians
- Instrument Fitters
- Electricians
- Service Technicians
- Project Managers
- Formworkers
- Concreters

Call AWE today.



If you have questions about

- weighing equipment
- packaging equipment
- bulk materials handling
- componentry

call the sales team at *AWE Group* to find the right solution for your individual needs.

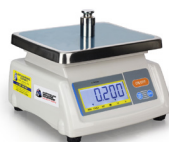
## ■ AWE PRODUCT RANGE



Weighbridges



Load Cells



Scales



Crane Scales



Indicators



Packaging Equipment



Onboard Weighing



Batching Consoles



Test Weight



Maintenance



## ■ WHO IS “AUSTRALIAN WEIGHING EQUIPMENT GROUP”

Jeff & Trevor Baillie started Australian Weighing Equipment (or AWE) in 1981, focusing on weighing solutions based on engineering principles. For nearly 40 years AWE has built its reputation as a leading supplier of robust weighing, packaging & bulk handling equipment. Our innovative engineering and continuous product developments have led to designs that will stand up to the rigours and demands of your applications.

AWE has increased its investment in manufacturing facilities with a new 3,200sq/m factory in Sydney which has

- A CNC Machine Shop
- Heavy Metal Fabrication Shop
- Larger work areas for our team of qualified tradesman

Acquisitions of Bradwood Packaging and Dendy Packaging and Design Engineering has increased our packaging and engineering experience.

In 2008, AWE established a manufacturing facility in China - AWE Group Packaging and Bulk Materials Handling Equipment, a purpose-built 5,000sq/m factory in Suzhou China (70kms From Shanghai).

All of the products we offer are Australian designed and manufactured under our strict quality control system in our own factories both locally and internationally.

## ■ LOCATIONS OF AUSTRALIAN WEIGHING EQUIPMENT



Australian Weighing  
Equipment - Sydney Office

8 Heald Road  
Ingleburn NSW 2565



Australian Weighing  
Equipment - Melbourne Office

37 Barrie Road  
Tullamarine, VIC, 3043



Australian Weighing  
Equipment - Brisbane Office

7 Darnick Street  
Underwood, QLD1 4119

## ■ AUSTRALIAN WEIGHING EQUIPMENT ON SOCIAL MEDIA



@AustralianWeighingEquipment



@australianweighingequipment



/company/awegrouppaustralia



www.youtube.com/AustWeighing



www.awe.com.au

Dealer's Information:

SCAN HERE



www.awe.com.au

Brochure: 150920  
Version: 140820