



**AUSTRALIAN
WEIGHING
EQUIPMENT**
Way ahead in Weighing

PRODUCT GUIDE

AWE100P

- Effortless set-up
- User-friendly
- Easy-to-use



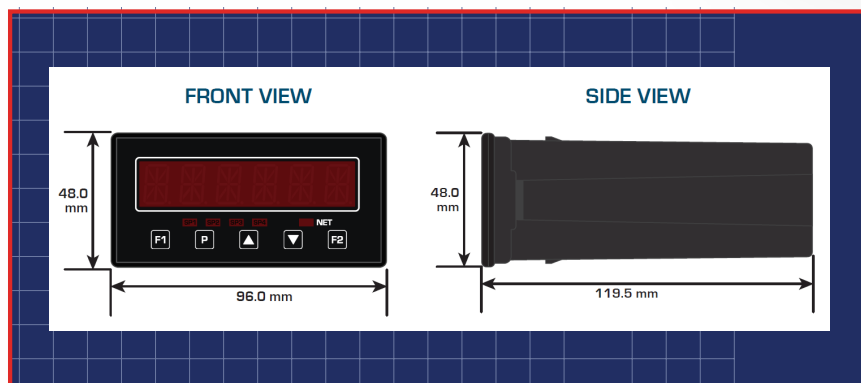


■ FEATURES

- Offset and span trim calibration functions allow calibration without the application of test masses
- Suited for tank and silo applications
- Relay, serial and analog output options make it valuable for stand-alone control or as an interface for PC, PLC & HMI applications
- Industrial hardened and ideal as a weighing controller in packaging machines and batch controllers
- Intuitive scrolling text menus guide you step by step through the effortless setup and calibration process
- The world's most user-friendly and versatile load cell controller
- Easy-to-use front panel configuration



■ DIMENSIONS



The ideal controller for **high speed, high accuracy weighing, batching & level measurement operations**

■ TECHNICAL SPECIFICATIONS

Model	AWE100P
Input	4/6-wire strain gauge 1-5mV/V
Power supply	HV - 85-265V AC / 95-370V DC LV - 15-48V AC / 10-72V DC
Relay outputs OPTIONAL	4 x 5A form A relays (250V rated)
Analog output OPTIONAL	Isolated 16-bit 4-20mA / 0-10V 7Hz output (fully scaleable). Window programmable over any range within the full-scale range of the controller.
Serial port OPTIONAL	Isolated option 2 or option 4 serial port » Modes: ASCII, Modbus/RTU slave, Ranger A » Data ranges: 300-38400 » Parity: Odd, even or none
Excitation	5V DC excitation supplied (powers up to 8 x 350Ω load-cells)
Sampling rate	Up to 50Hz
Resolution	18-bit
Accuracy	0.005% of reading
Temperature drift	Typically 3ppm/°C
Calibration	Pre-calibrated for 0-10,000 counts (2mV/V sensor gain at full scale). Can be recalibrated using the auto (apply mass) or mV/V method. Adjustable zero offset and span.
Easy setup	Intuitive text prompts facilitate easy setup
Security	Calibration and setpoint functions have independent security code access. Direct access to setpoint activation values is independently configurable.
Inputs	Hold, lock, tare, batch, zero, peak hold and print remote commands

■ CASE SPECIFICATIONS

Display	6-digit, 14-segment LED alphanumeric
LED's	4 x setpoint, 1 x NET
Buttons	5 buttons. Program, up, down and 2 menu buttons.
Dimensions	48 x 96 x 119.5mm (H x W x D).
Panel cutout	45.5 x 92.5mm

■ ORDERING CODES

CODE	DESCRIPTION
AWE100	AWE Series
P	Panel mount
- LV	15-48V AC / 10-72V DC power supply
- HV	85-265V AC / 95-370V DC power supply
- R	Relay outputs (4) form A
- 2	RS232 isolated output
- 4	RS485 isolated output
- A	Analog output option installed

■ OPTIONS

CODE	DESCRIPTION
AWE - R	4x form A relays (240V, 5A rated)
AWE - 2	RS232 isolated serial output
AWE - 4	RS485 isolated serial output
AWE - A	Analog isolated source powered output (4-20mA, 1-5V)



■ AWE - THE BEST IN THE BUSINESS

AWE has built a reputation in providing world class products and services to customers from a wide range of industries for many unique applications. All the products come with AWE Quality Guarantee- giving you the assurance that they have been tested to meet or exceed the specifications and requirements of your application. At AWE, it's more than just delivering perfectly-designed equipment, it also requires a team of dedicated people who will back you up with great service and support. Any servicing, installation and technical support issues you encounter can be addressed either onsite or remotely by our engineers and tradesmen who carry qualifications as:

- Licensed Tradesmen
- Mechanical Engineers
- Electrical Engineers
- Structural Engineers
- Draftsmen
- Fitter & Turners
- Boilermakers
- Fully Qualified Scale Makers
- Electronic Technicians
- Instrument Fitters
- Electricians
- Service Technicians
- Project Managers
- Formworkers
- Concreters

Call AWE today.



If you have questions about

- **weighing equipment**
- **packaging equipment**
- **bulk materials handling**
- **componentry**

call the sales team at *AWE Group* to find the right solution for your individual needs.

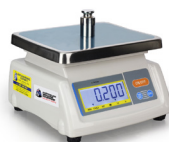
■ AWE PRODUCT RANGE



Weighbridges



Load Cells



Scales



Crane Scales



Indicators



Packaging Equipment



Onboard Weighing



Batching Consoles



Test Weight



Maintenance



■ WHO IS “AUSTRALIAN WEIGHING EQUIPMENT GROUP”

Jeff & Trevor Baillie started Australian Weighing Equipment (or AWE) in 1981, focusing on weighing solutions based on engineering principles. For nearly 40 years AWE has built its reputation as a leading supplier of robust weighing, packaging & bulk handling equipment. Our innovative engineering and continuous product developments have led to designs that will stand up to the rigours and demands of your applications.

AWE has increased its investment in manufacturing facilities with a new 3,200sq/m factory in Sydney which has

- A CNC Machine Shop
- Heavy Metal Fabrication Shop
- Larger work areas for our team of qualified tradesman

Acquisitions of Bradwood Packaging and Dendy Packaging and Design Engineering has increased our packaging and engineering experience.

In 2008, AWE established a manufacturing facility in China - AWE Group Packaging and Bulk Materials Handling Equipment, a purpose-built 5,000sq/m factory in Suzhou China (70kms From Shanghai).

All of the products we offer are Australian designed and manufactured under our strict quality control system in our own factories both locally and internationally.

■ LOCATIONS OF AUSTRALIAN WEIGHING EQUIPMENT



Australian Weighing
Equipment - Sydney Office

8 Heald Road
Ingleburn NSW 2565



Australian Weighing
Equipment - Melbourne Office

37 Barrie Road
Tullamarine, VIC, 3043



Australian Weighing
Equipment - Brisbane Office

7 Darnick Street
Underwood, QLD1 4119

■ AUSTRALIAN WEIGHING EQUIPMENT ON SOCIAL MEDIA



@AustralianWeighingEquipment



@australianweighingequipment



/company/awegrouppaustralia



www.youtube.com/AustWeighing



www.awe.com.au

Dealer's Information:

SCAN HERE



www.awe.com.au

Brochure: 150920
Version: 140820