



**AUSTRALIAN
WEIGHING
EQUIPMENT**
Way ahead in Weighing

PRODUCT GUIDE

RW WIRELESS CRANE SCALE

- Most hired crane scale
- Designed for safety
- Wireless communication up to 100m





■ ABOUT THE MECHANICAL BENCH SCALE

The AWE Group leads the way in Crane Scale technology, with their RW Wireless Crane Scale, a combination of a Wireless AET-4 Tension Loadcell & RWS Wireless Weighing Indicator. This RW Wireless Crane Scale set is one of AWE's most sought-out range of hire scales built to protect the operator from standing under the load to read the indicator.

Designed to keep crane operators safe by keeping them out of harm's way, the Wireless AET-4 Tension Loadcell sends the digitally captured weight directly to the RWS Wireless Indicator.

With the tough new OH&S laws, not only is this dangerous to life and limb, but could also prove costly. The RW Wireless Crane Scale gives the crane operator a line of sight to the Weight Indicator eliminating the need to stand under a heavy load suspended above. Workers safety is paramount & ensured without the risk and danger of a heavy load directly suspended above their heads.



■ FEATURES

- An economical general purpose instrument
- AET-4 Tension Loadcell Fitted with a wireless receiver
- RW Wireless Weight Indicator
- Functions include, net/gross shift, units conversion
- Battery provides up to 40 hours of continuous use (without backlight)
- Wireless communication distance up to 100m
- Optional RS-232 can connect to a mini printer, label printer or computer
- Wireless Unit is fitted to the AET-4 Wireless Tension Loadcell
- From 10 tonnes to 100 tonnes
- Power packs to recharge internal rechargeable batteries





■ SPECIFICATIONS

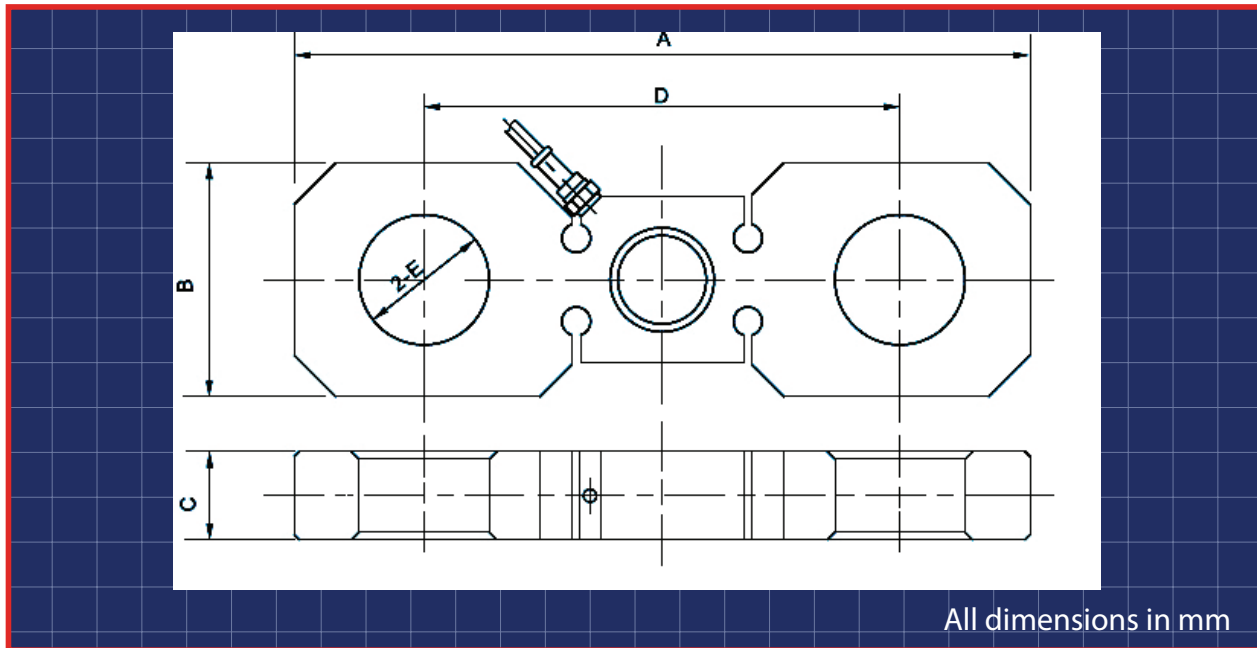
RW Wireless Crane Scale Specifications				
Order Code	RWWCS-10T	RWWCS-20T	RWWCS-50T	RWWCS-100T
Capacity	10,000kg	20,000kg	50,000kg	100,000kg
Resolution	5kg	10kg	20kg	50kg
Gross Weight		10kg		62kg
Display	22mm digit LCD display, with white LED backlight			
Keyboard	6 keys (Mechanical switch)			
Housing	ABS Plastic			
Power	AC adapter (12V/500mA),			
A/D Update	≤1/10 second			
Operating Temp	-10°C~+40°C			

■ OPTIONS

Order Code	Description
RWWCS-Shackles	Shackles To Suit capacity Of RW Wireless Crane Scale
RWWCS-10T	
RWWCS-20T	
RWWCS-50T	
RWWCS-100T	
RWWCS-Case	Industrial Carry Case 10t to 50t
RWWCS-10T-50T	300mm (W) x 620mm (L) x 440mm (H) Industrial Carry Case 100t
RWWCS-100T	470mm (W) x 800mm (L) x 350mm (H)
RWWSC-RS232	RS232 to connect to Label Printer, Computer. etc (Optional)
RWWSC-PP	Spare Power Packs for Recharging 12v500mA
RWWSC-HM	Hold Mode for Measuring Peak Loads (Optional)



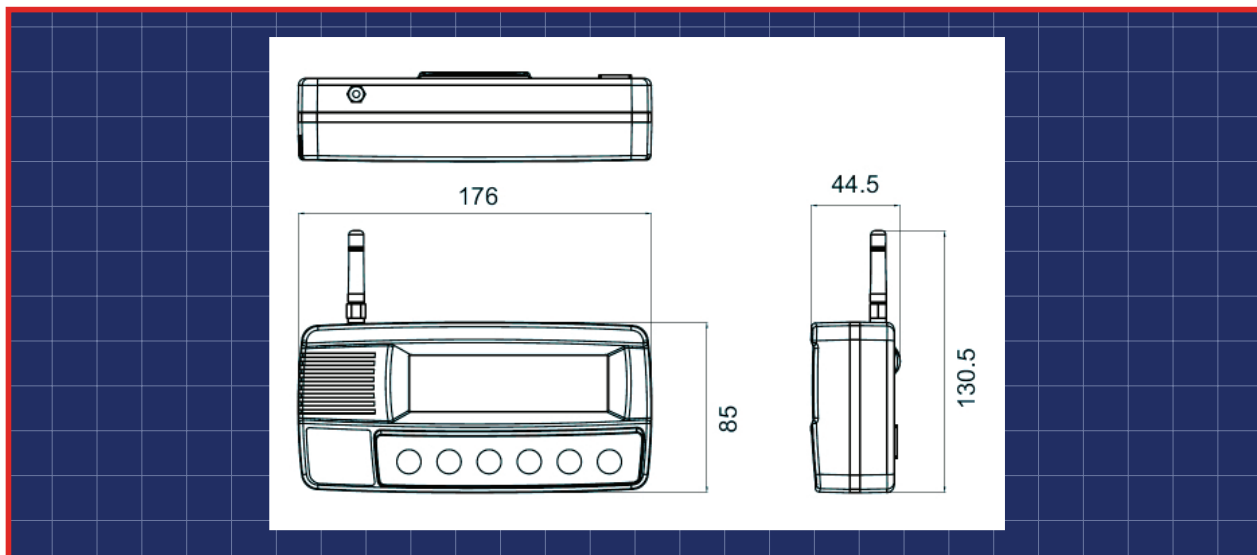
■ WIRELESS LOADCELL DIMENSIONS



All dimensions in mm

Capacity	Size mm			
t	10	20	50	100
A	283.0	318.0	500.0	570.0
B	90.0	110.0	180.0	170.0
C	34.0	42.0	60.0	90.0
D	183.0	200.0	320.0	370.0
2-E	50.0	60.0	72.0	100.0

■ WIRELESS INDICATOR DIMENSIONS





■ **AWE - THE BEST IN THE BUSINESS**

AWE has built a reputation in providing world class products and services to customers from a wide range of industries for many unique applications. All the products come with AWE Quality Guarantee- giving you the assurance that they have been tested to meet or exceed the specifications and requirements of your application. At AWE, it's more than just delivering perfectly-designed equipment, it also requires a team of dedicated people who will back you up with great service and support. Any servicing, installation and technical support issues you encounter can be addressed either onsite or remotely by our engineers and tradesmen who carry qualifications as:

- Licensed Tradesmen
- Mechanical Engineers
- Electrical Engineers
- Structural Engineers
- Draftsmen
- Fitter & Turners
- Boilermakers
- Fully Qualified Scale Makers
- Electronic Technicians
- Instrument Fitters
- Electricians
- Service Technicians
- Project Managers
- Formworkers
- Concreters

Call AWE today.



If you have questions about

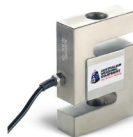
- **weighing equipment**
- **packaging equipment**
- **bulk materials handling**
- **componentry**

call the sales team at *AWE Group* to find the right solution for your individual needs.

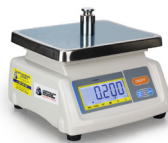
■ **AWE PRODUCT RANGE**



Weighbridges



Load Cells



Scales



Crane Scales



Indicators



Packaging Equipment



Onboard Weighing



Batching Consoles



Test Weight



Maintenance



■ WHO IS “AUSTRALIAN WEIGHING EQUIPMENT GROUP”

Jeff & Trevor Baillie started Australian Weighing Equipment (or AWE) in 1981, focusing on weighing solutions based on engineering principles. For nearly 40 years AWE has built its reputation as a leading supplier of robust weighing, packaging & bulk handling equipment. Our innovative engineering and continuous product developments have led to designs that will stand up to the rigours and demands of your applications.

AWE has increased its investment in manufacturing facilities with a new 3,200sq/m factory in Sydney which has

- A CNC Machine Shop
- Heavy Metal Fabrication Shop
- Larger work areas for our team of qualified tradesman

Acquisitions of Bradwood Packaging and Dendy Packaging and Design Engineering has increased our packaging and engineering experience.

In 2008, AWE established a manufacturing facility in China - AWE Group Packaging and Bulk Materials Handling Equipment, a purpose-built 5,000sq/m factory in Suzhou China (70kms From Shanghai).

All of the products we offer are Australian designed and manufactured under our strict quality control system in our own factories both locally and internationally.

■ LOCATIONS OF AUSTRALIAN WEIGHING EQUIPMENT



Australian Weighing
Equipment - Sydney Office

8 Heald Road
Ingleburn NSW 2565



Australian Weighing
Equipment - Melbourne Office

37 Barrie Road
Tullamarine, VIC, 3043



Australian Weighing
Equipment - Brisbane Office

7 Darnick Street
Underwood, QLD1 4119

■ AUSTRALIAN WEIGHING EQUIPMENT ON SOCIAL MEDIA



@AustralianWeighingEquipment



@australianweighingequipment



/company/awegrouppaustralia



www.youtube.com/AustWeighing



www.awe.com.au

Dealer's Information:

SCAN HERE



www.awe.com.au

Brochure: 150920
Version: 140820