



**AUSTRALIAN  
WEIGHING  
EQUIPMENT**  
*Way ahead in Weighing*

PRODUCT GUIDE

# MECHANICAL HANGING SCALE

---

- Quality spring mechanism
- High accuracy
- Solid construction





# Mechanical Hanging Scale

## ■ ABOUT THE MECHANICAL BENCH SCALE

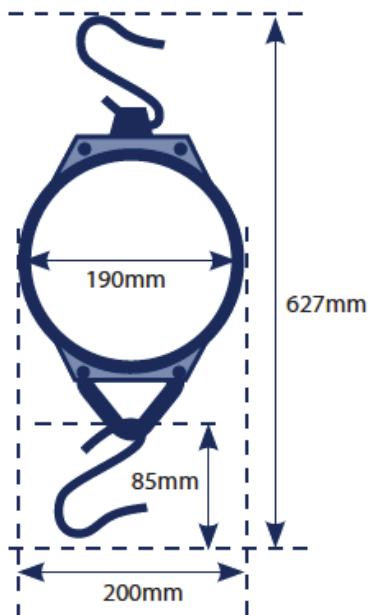
Ideal weighing solution for industries needing a non-electrical weighing instrument.  
Rugged design. Accurate. Easy to operate.  
(For other capacities: please ask our sales team for more options.)

## ■ FEATURES

- Capacity Range: 10Kg to 100Kg
- Easy to read 170mm dial face + perspex protective cover
- Reliable spring mechanism for high accuracy
- Easy zero adjustment
- Hooks included



## ■ DIMENSIONS AND VARIOUS MODELS



Model	Dial Diameter (mm)	Capacity
DSH-6010	170	10Kg x 50g
DSH-6025	170	25Kg x 100g
DSH-6050	170	50Kg x 200g
DSH-6100	170	100Kg x 500g



■ **AWE - THE BEST IN THE BUSINESS**

AWE has built a reputation in providing world class products and services to customers from a wide range of industries for many unique applications. All the products come with AWE Quality Guarantee- giving you the assurance that they have been tested to meet or exceed the specifications and requirements of your application. At AWE, it's more than just delivering perfectly-designed equipment, it also requires a team of dedicated people who will back you up with great service and support. Any servicing, installation and technical support issues you encounter can be addressed either onsite or remotely by our engineers and tradesmen who carry qualifications as:

- Licensed Tradesmen
- Mechanical Engineers
- Electrical Engineers
- Structural Engineers
- Draftsmen
- Fitter & Turners
- Boilermakers
- Fully Qualified Scale Makers
- Electronic Technicians
- Instrument Fitters
- Electricians
- Service Technicians
- Project Managers
- Formworkers
- Concreters

Call AWE today.



If you have questions about

- **weighing equipment**
- **packaging equipment**
- **bulk materials handling**
- **componentry**

call the sales team at *AWE Group* to find the right solution for your individual needs.

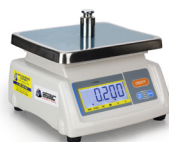
■ **AWE PRODUCT RANGE**



Weighbridges



Load Cells



Scales



Crane Scales



Indicators



Packaging Equipment



Onboard Weighing



Batching Consoles



Test Weight



Maintenance



## ■ WHO IS “AUSTRALIAN WEIGHING EQUIPMENT GROUP”

Jeff & Trevor Baillie started Australian Weighing Equipment (or AWE) in 1981, focusing on weighing solutions based on engineering principles. For nearly 40 years AWE has built its reputation as a leading supplier of robust weighing, packaging & bulk handling equipment. Our innovative engineering and continuous product developments have led to designs that will stand up to the rigours and demands of your applications.

AWE has increased its investment in manufacturing facilities with a new 3,200sq/m factory in Sydney which has

- A CNC Machine Shop
- Heavy Metal Fabrication Shop
- Larger work areas for our team of qualified tradesman

Acquisitions of Bradwood Packaging and Dendy Packaging and Design Engineering has increased our packaging and engineering experience.

In 2008, AWE established a manufacturing facility in China - AWE Group Packaging and Bulk Materials Handling Equipment, a purpose-built 5,000sq/m factory in Suzhou China (70kms From Shanghai).

All of the products we offer are Australian designed and manufactured under our strict quality control system in our own factories both locally and internationally.

## ■ LOCATIONS OF AUSTRALIAN WEIGHING EQUIPMENT



Australian Weighing  
Equipment - Sydney Office

8 Heald Road  
Ingleburn NSW 2565



Australian Weighing  
Equipment - Melbourne Office

37 Barrie Road  
Tullamarine, VIC, 3043



Australian Weighing  
Equipment - Brisbane Office

7 Darnick Street  
Underwood, QLD1 4119

## ■ AUSTRALIAN WEIGHING EQUIPMENT ON SOCIAL MEDIA



@AustralianWeighingEquipment



@australianweighingequipment



/company/awegrouppaustralia



www.youtube.com/AustWeighing



www.awe.com.au

Dealer's Information:

SCAN HERE



www.awe.com.au

Brochure: 150920  
Version: 140820