



**AUSTRALIAN
WEIGHING
EQUIPMENT**
Way ahead in Weighing

PRODUCT GUIDE

HANG GLIDER SERIES 3

- Dry battery powered
- Selectable weighing unit
- Safety overload up to 150%





FEATURES

- Dry battery powered
- Selectable weighing unit (kg/lb)
- Application: 1. Tare 2. Change weighing unit 3. Hold
- Safety overload up to 150%



SPECIFICATIONS

Order Code	HANGGLIDER-3-40	HANGGLIDER-3-100	HANGGLIDER-3-200
Max Capacity	40kg	100kg	200kg
Min Capacity	6kg	18kg	30kg
Resolution	20g	50g	100g
Repeatability	≤± 0.2 %FS		
Non-Linearity	≤± 0.2 %FS		
Accuracy	2,000d		
Creep	≤± 0.1 %FS/30		
Safe Overload	150 %FS		
Gross Weight	0.65kg	0.65kg	0.65kg
Display	16.5mm digit LCD display, with white LED backlight		
Keyboard	3 keys (Mechanical switch)		
Housing	ABS Plastic		
Power	3 1.5V AAA Batteries		
Battery Life	200 hours		
A/D Update	≤1/10 second		
Operating Temp	-10°C~+40°C		
Protection Class	IP54		
Approval	CE		

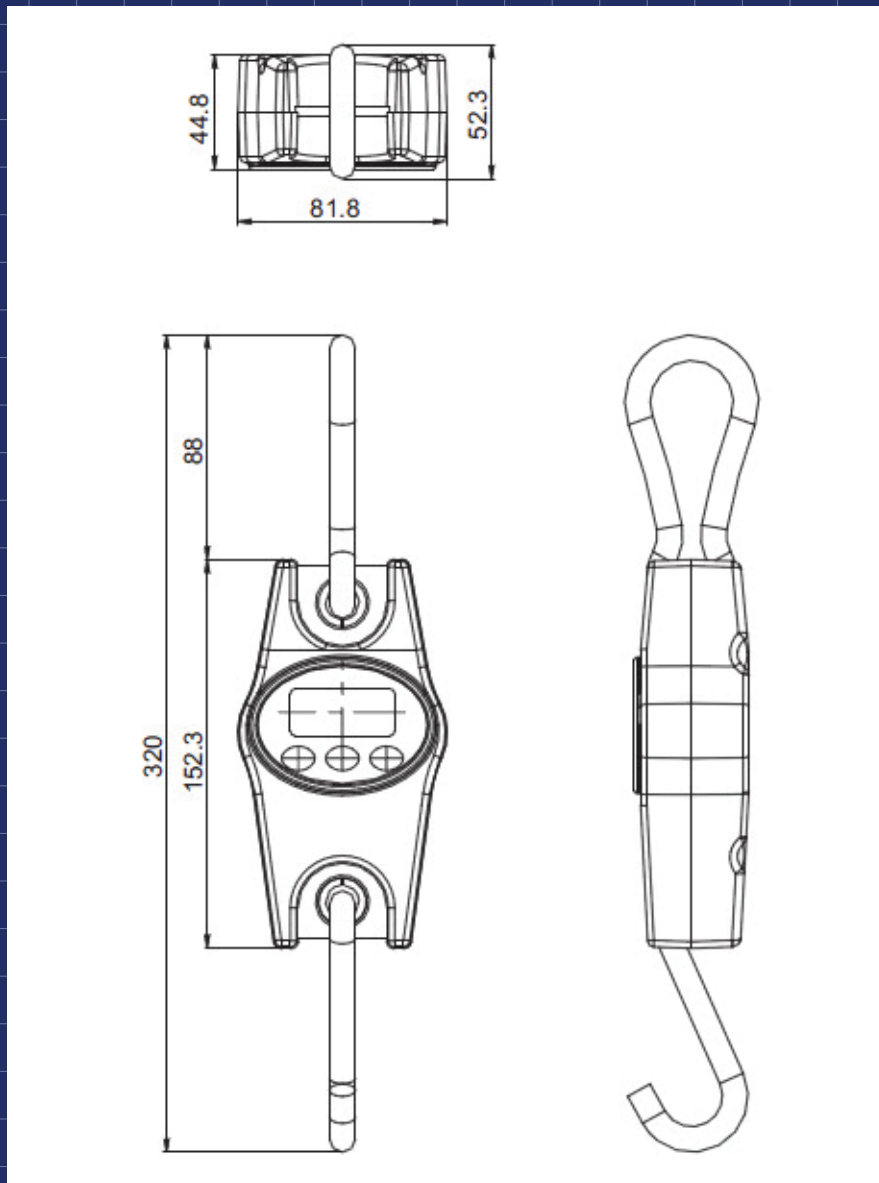


OPTIONS

Order Code	Description
SHACKLE-1.5T	1.5t Grade B Bow Shackle
SHACKLE-3.2T	3.2t Grade B Bow Shackle
SHACKLE-6.5T	6.5t Grade B Bow Shackle
SHACKLE-12T	12t Grade B Bow Shackle
SHACKLE-25T	25t Grade B Bow Shackle
SHACKLE-55T	55T Grade S Bow Shackle
CASE	Industrial Carry Case 10t to 50t 300mm (W) x 620mm (L) x 440mm (H) Industrial Carry Case 100t470mm (W) x 800mm (L) x 350mm (H)



■ **DIMENSIONS**



All dimensions in mm



■ **AWE - THE BEST IN THE BUSINESS**

AWE has built a reputation in providing world class products and services to customers from a wide range of industries for many unique applications. All the products come with AWE Quality Guarantee- giving you the assurance that they have been tested to meet or exceed the specifications and requirements of your application. At AWE, it's more than just delivering perfectly-designed equipment, it also requires a team of dedicated people who will back you up with great service and support. Any servicing, installation and technical support issues you encounter can be addressed either onsite or remotely by our engineers and tradesmen who carry qualifications as:

- Licensed Tradesmen
- Mechanical Engineers
- Electrical Engineers
- Structural Engineers
- Draftsmen
- Fitter & Turners
- Boilermakers
- Fully Qualified Scale Makers
- Electronic Technicians
- Instrument Fitters
- Electricians
- Service Technicians
- Project Managers
- Formworkers
- Concreters

Call AWE today.



If you have questions about

- **weighing equipment**
- **packaging equipment**
- **bulk materials handling**
- **componentry**

call the sales team at *AWE Group* to find the right solution for your individual needs.

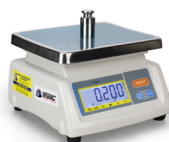
■ **AWE PRODUCT RANGE**



Weighbridges



Load Cells



Scales



Crane Scales



Indicators



Packaging Equipment



Onboard Weighing



Batching Consoles



Test Weight



Maintenance



■ WHO IS “AUSTRALIAN WEIGHING EQUIPMENT GROUP”

Jeff & Trevor Baillie started Australian Weighing Equipment (or AWE) in 1981, focusing on weighing solutions based on engineering principles. For nearly 40 years AWE has built its reputation as a leading supplier of robust weighing, packaging & bulk handling equipment. Our innovative engineering and continuous product developments have led to designs that will stand up to the rigours and demands of your applications.

AWE has increased its investment in manufacturing facilities with a new 3,200sq/m factory in Sydney which has

- A CNC Machine Shop
- Heavy Metal Fabrication Shop
- Larger work areas for our team of qualified tradesman

Acquisitions of Bradwood Packaging and Dendy Packaging and Design Engineering has increased our packaging and engineering experience.

In 2008, AWE established a manufacturing facility in China - AWE Group Packaging and Bulk Materials Handling Equipment, a purpose-built 5,000sq/m factory in Suzhou China (70kms From Shanghai).

All of the products we offer are Australian designed and manufactured under our strict quality control system in our own factories both locally and internationally.

■ LOCATIONS OF AUSTRALIAN WEIGHING EQUIPMENT



Australian Weighing
Equipment - Sydney Office

8 Heald Road
Ingleburn NSW 2565



Australian Weighing
Equipment - Melbourne Office

37 Barrie Road
Tullamarine, VIC, 3043



Australian Weighing
Equipment - Brisbane Office

7 Darnick Street
Underwood, QLD1 4119

■ AUSTRALIAN WEIGHING EQUIPMENT ON SOCIAL MEDIA



@AustralianWeighingEquipment



@australianweighingequipment



/company/awegrouppaustralia



www.youtube.com/AustWeighing



www.awe.com.au

Dealer's Information:

SCAN HERE



www.awe.com.au

Brochure: 150920
Version: 140820