



**AUSTRALIAN
WEIGHING
EQUIPMENT**
Way ahead in Weighing

PRODUCT GUIDE

SAFE LOADER



- Calculates weight using your truck and trailer air-bag pressure
- Reliable and affordable
- Suitable for single, dual and tri-axle vehicles





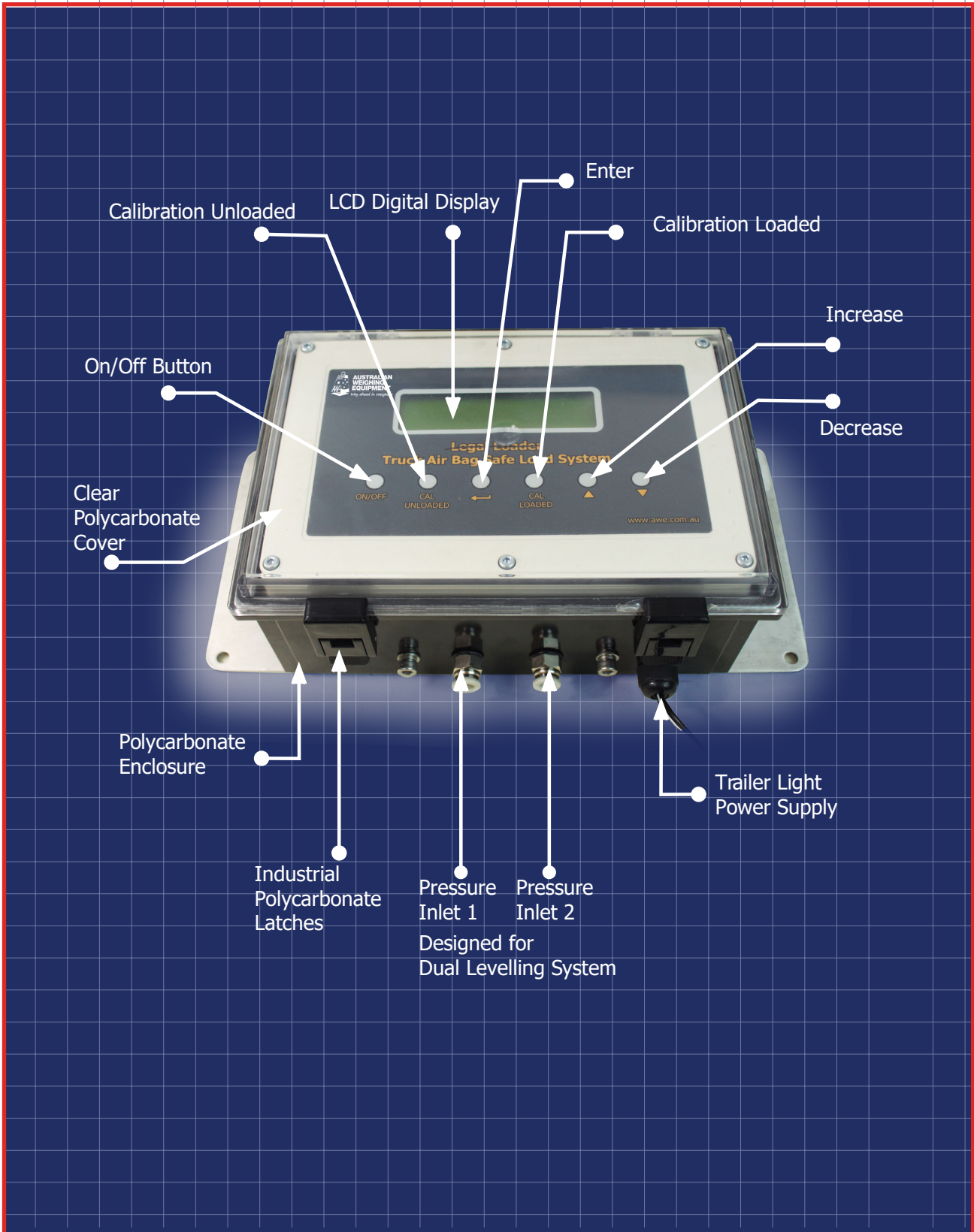
■ FEATURES

- Easy to Use and Install
- Accuracy $\pm 1\%$ Capacity of Truck
- No Loss of Loading Capacity
- Australian Design
- Analogue or Digital Solution
- High Quality Components:
 - Stainless Steel Gauge & Measuring Device
 - International Standard High Pressure Valve
- Choice of Sensors:
 - Single
 - Dual
 - Tri-Axle
- Rugged Waterproof Construction
- Solid Mounting Bracket
- Mounting Options:
 - Vertical Plane Mounting
 - Horizontal Plane Mounting
 - Chassis Adaptor Plates
- Cost Effective:
 - Low-Cost Install
 - Low Maintenance
 - Eliminate Fines
 - Saves trips to the Weighbridge
 - No more lost income due to out-of-route driving
 - Easier Change-Overs

The Truck Airbag Safe Loader turns your truck into a weighing machine.

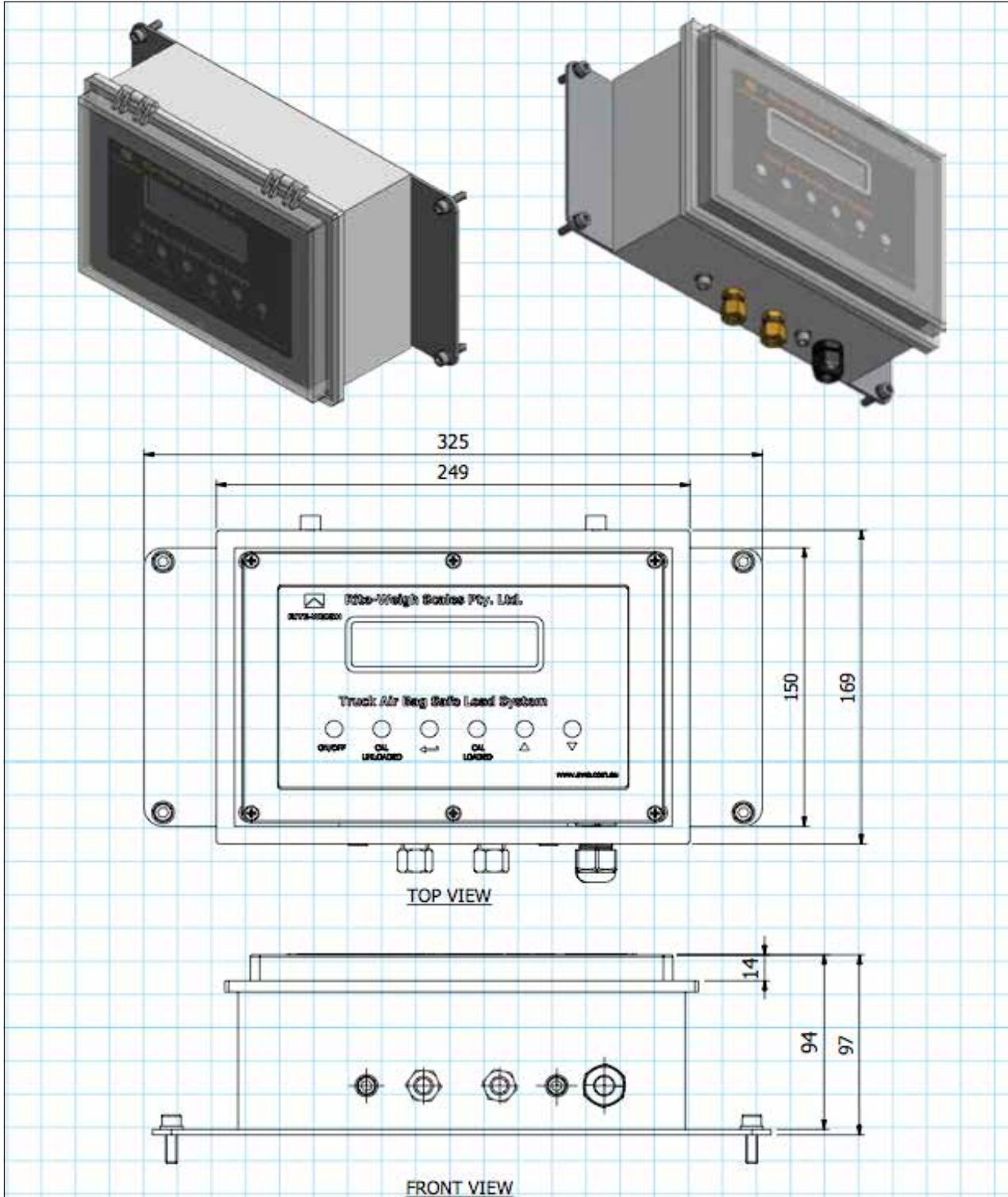


■ **ANNOTATIONS: DIGITAL SAFE LOADER**



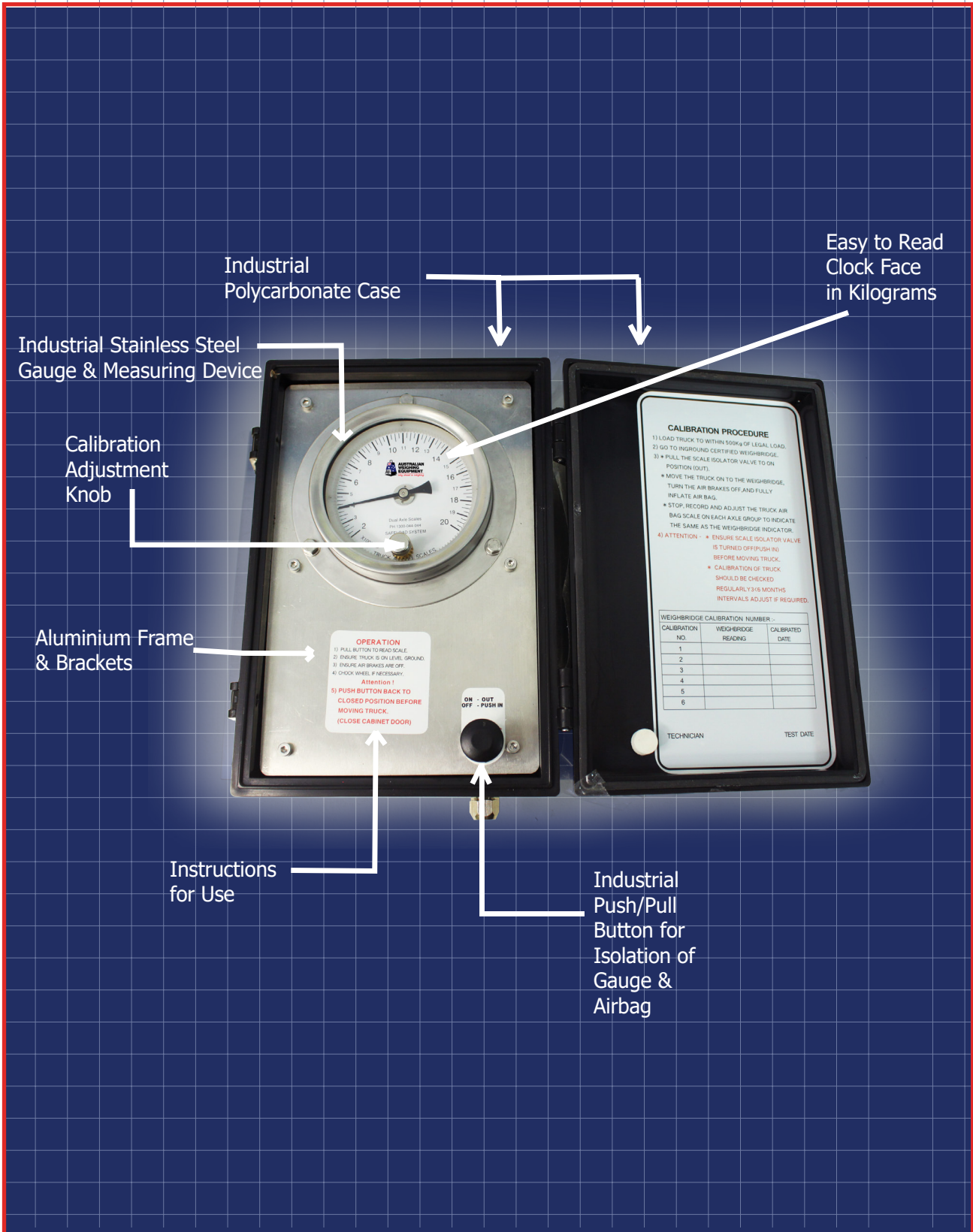


■ **DIMENSIONS: DIGITAL SAFE LOADER**



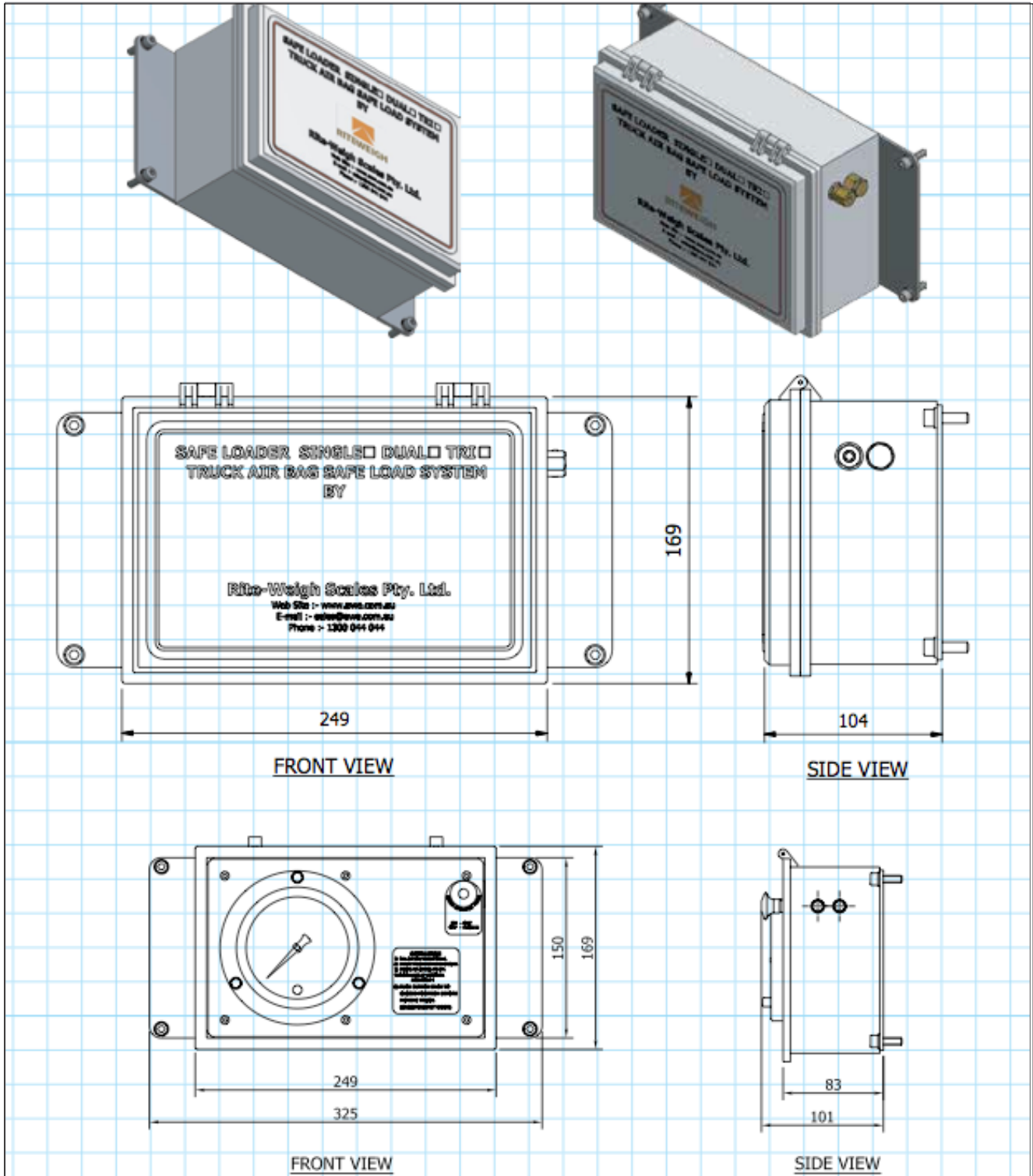


■ ANNOTATIONS: ANALOGUE SAFE LOADER



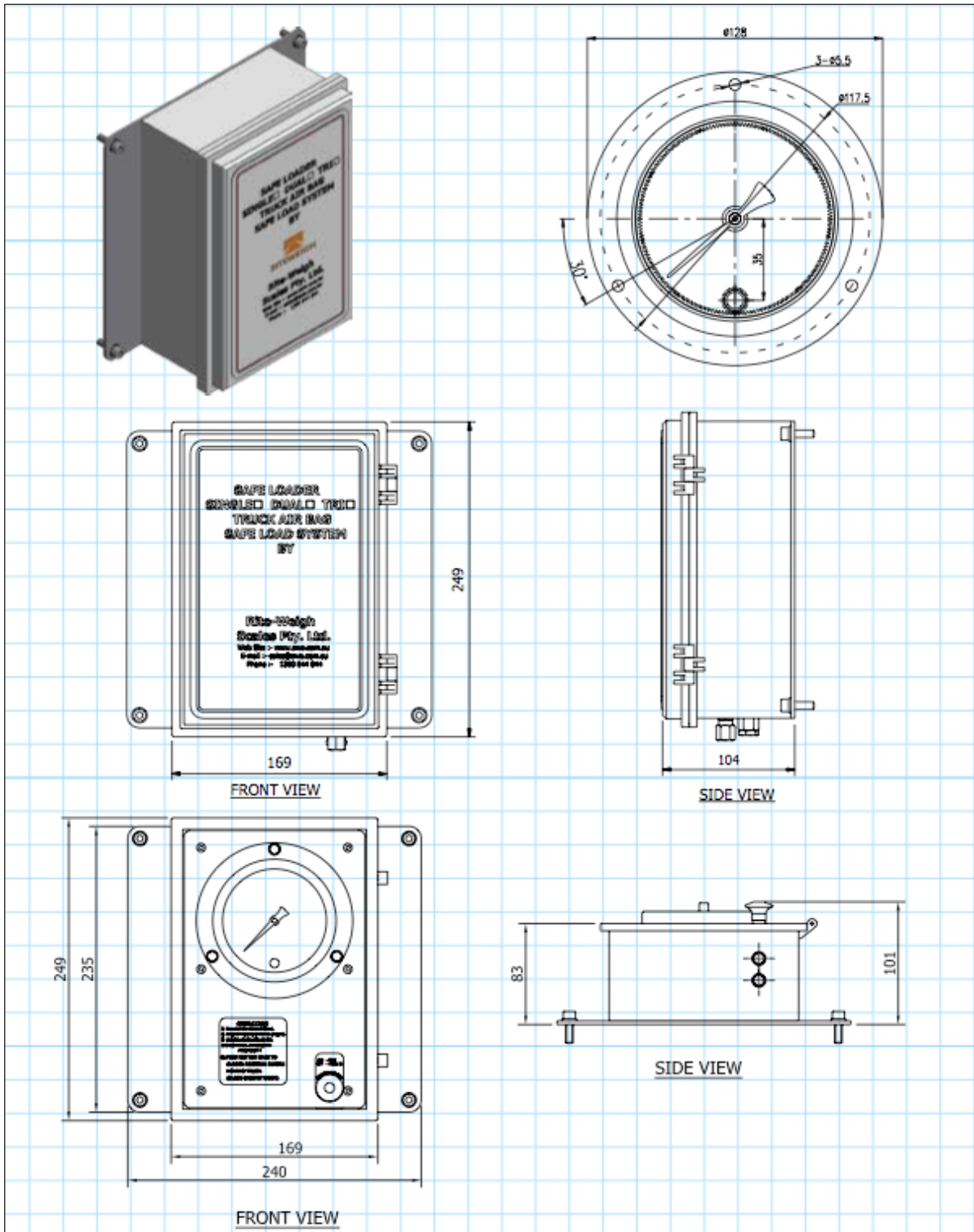


■ **DIMENSIONS: ANALOGUE SAFE LOADER HORIZONTAL**





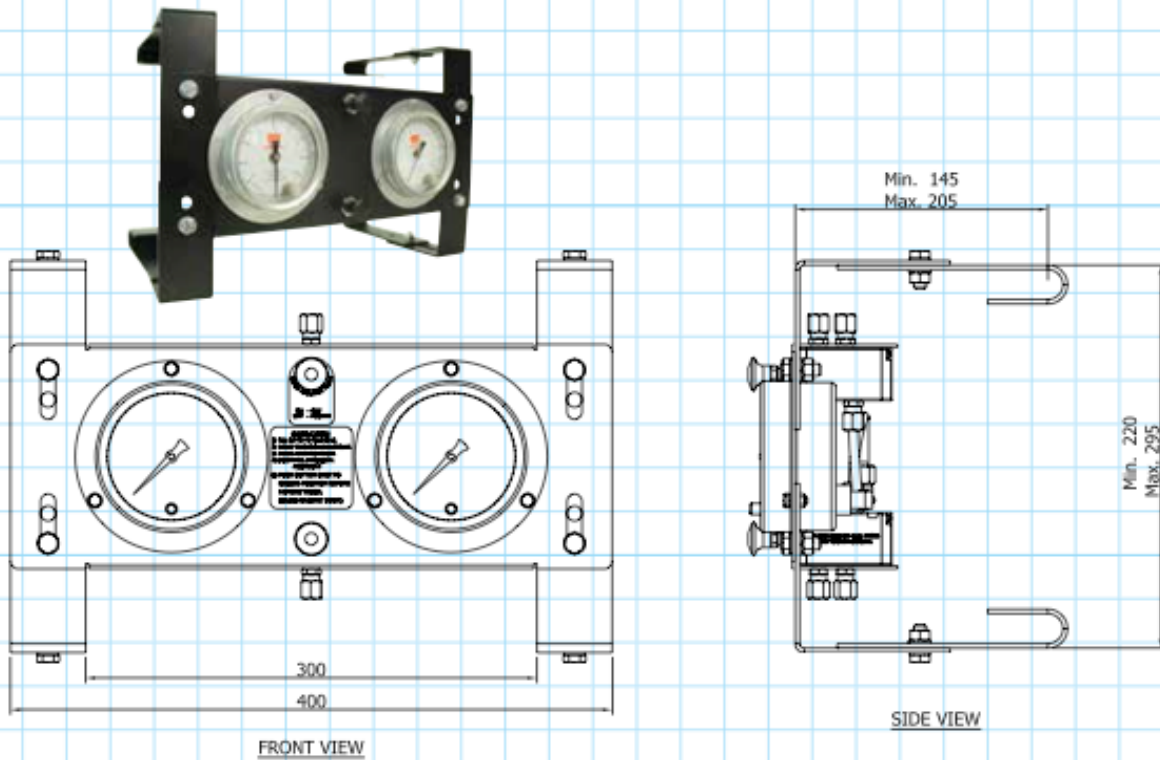
■ **DIMENSIONS: ANALOGUE SAFE LOADER HORIZONTAL**



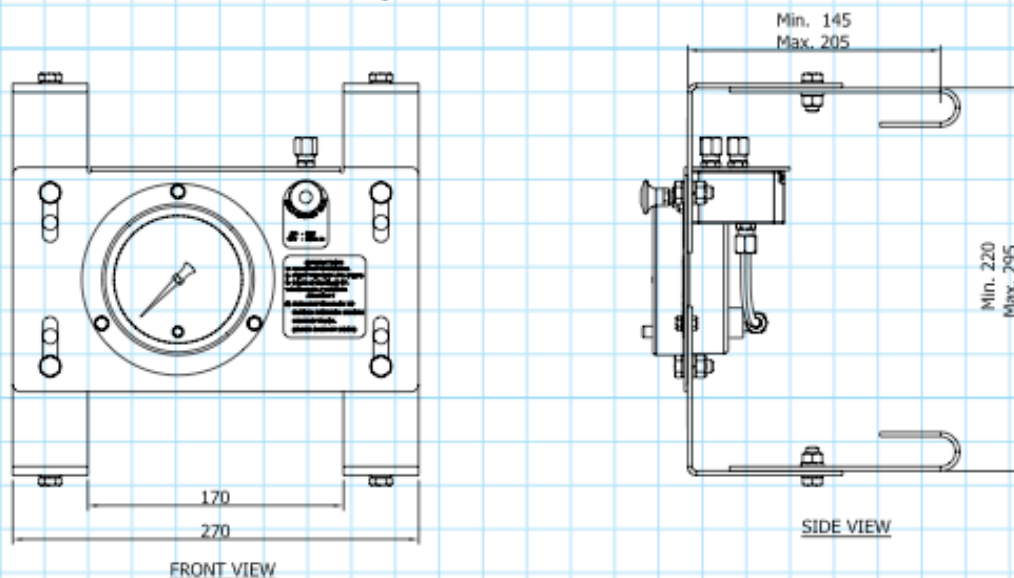


■ **DIMENSIONS: UNIVERSAL CHASSIS MOUNT ADAPTER**

Universal Chassis Mount Adapter – DOUBLE INDICATOR



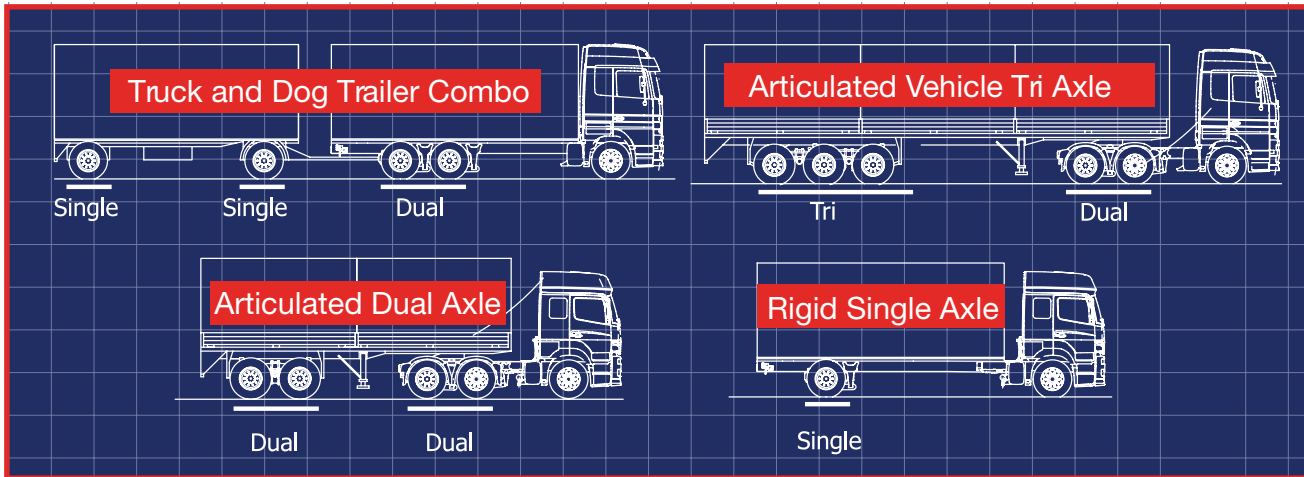
Universal Chassis Mount Adapter – SINGLE INDICATOR





■ **CONFIGURATIONS**

Identify your axle configuration to assist with ordering the correct items for your Safe Loader on-board weighing system



■ **ORDER CODES**

TYPE OF TRUCK AIRBAG SAFE LOADER	DIGITAL	ANALOGUE - SINGLE AXLE	ANALOGUE - DUAL AXLE	ANALOGUE - TRI-AXLE
Horizontal Mount- 300mm Dia	SL-DIGITAL-HM300			
Vertical Mount- Single Height Control Valve - 300mm	N/A	SL-SASHCV-VM300	SL-DASHCV-VM300	SL-TASHCV-VM300
Vertical Mount- Dual Height Control Valve - 300mm	N/A	SL-SADHCV-VM300	SL-DADHCV-VM300	SL-TADHCV-VM300
Horizontal Mount- Single Height Control Valve - 300mm	N/A	SL-SASHCV-HM300	SL-DASHCV-HM300	SL-TASHCV-HM300
Horizontal Mount- Dual Height Control Valve - 300mm	N/A	SL-SADHCV-HM300	SL-DADHCV-HM300	SL-TADHCV-HM300
Chassis Mount- Single Height Control Valve Single Indicator- 300mm Diameter	N/A	SL-SASHCV-CMS300	SL-DASHCV-CMS300	SL-TASHCV-CMS300

N.B. 300mm is the most common sized Truck Air Bag. If your Air Bag is 400mm, you'll need to order the Safe Loader in advance.

■ **SPECIFICATIONS**

Truck Airbag Safe Loader	Analogue	Digital
Capacity	Suitable for Trucks & Trailers - Single, Dual & Triple Axles	
Typical Accuracy	± 1% of Truck Capacity	
Resolution	125 kg (Dependent on System Capacity)	
Overload	Overload and Underload stops built into gauge with additional range	
Manufacture Origin	Australian (80%)	
Recalibration	Recommended every six (6) months if required for trade certification	
Fitting Time	Four (4) hours maximum	
Warranty	12 Months on Instrument & Sensors	
Approvals	Non-Trade Use	
Temperature	Temperature compensated for large temperature changes	

Not Approved for Trade Use. Truck Airbag Safe Loader instruments are NOT expandable. They do not support printers, alarms, totalising etc.



■ **AWE - THE BEST IN THE BUSINESS**

AWE has built a reputation in providing world class products and services to customers from a wide range of industries for many unique applications. All the products come with AWE Quality Guarantee- giving you the assurance that they have been tested to meet or exceed the specifications and requirements of your application. At AWE, it's more than just delivering perfectly-designed equipment, it also requires a team of dedicated people who will back you up with great service and support. Any servicing, installation and technical support issues you encounter can be addressed either onsite or remotely by our engineers and tradesmen who carry qualifications as:

- Licensed Tradesmen
- Mechanical Engineers
- Electrical Engineers
- Structural Engineers
- Draftsmen
- Fitter & Turners
- Boilermakers
- Fully Qualified Scale Makers
- Electronic Technicians
- Instrument Fitters
- Electricians
- Service Technicians
- Project Managers
- Formworkers
- Concreters

Call AWE today.



If you have questions about

- **weighing equipment**
- **packaging equipment**
- **bulk materials handling**
- **componentry**

call the sales team at *AWE Group* to find the right solution for your individual needs.

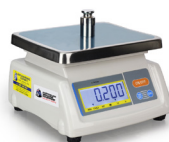
■ **AWE PRODUCT RANGE**



Weighbridges



Load Cells



Scales



Crane Scales



Indicators



Packaging Equipment



Onboard Weighing



Batching Consoles



Test Weight



Maintenance



■ WHO IS “AUSTRALIAN WEIGHING EQUIPMENT GROUP”

Jeff & Trevor Baillie started Australian Weighing Equipment (or AWE) in 1981, focusing on weighing solutions based on engineering principles. For nearly 40 years AWE has built its reputation as a leading supplier of robust weighing, packaging & bulk handling equipment. Our innovative engineering and continuous product developments have led to designs that will stand up to the rigours and demands of your applications.

AWE has increased its investment in manufacturing facilities with a new 3,200sq/m factory in Sydney which has

- A CNC Machine Shop
- Heavy Metal Fabrication Shop
- Larger work areas for our team of qualified tradesman

Acquisitions of Bradwood Packaging and Dendy Packaging and Design Engineering has increased our packaging and engineering experience.

In 2008, AWE established a manufacturing facility in China - AWE Group Packaging and Bulk Materials Handling Equipment, a purpose-built 5,000sq/m factory in Suzhou China (70kms From Shanghai).

All of the products we offer are Australian designed and manufactured under our strict quality control system in our own factories both locally and internationally.

■ LOCATIONS OF AUSTRALIAN WEIGHING EQUIPMENT



Australian Weighing
Equipment - Sydney Office

8 Heald Road
Ingleburn NSW 2565



Australian Weighing
Equipment - Melbourne Office

37 Barrie Road
Tullamarine, VIC, 3043



Australian Weighing
Equipment - Brisbane Office

7 Darnick Street
Underwood, QLD1 4119

■ AUSTRALIAN WEIGHING EQUIPMENT ON SOCIAL MEDIA



@AustralianWeighingEquipment



@australianweighingequipment



/company/awegrouppaustralia



www.youtube.com/AustWeighing



www.awe.com.au

Dealer's Information:

SCAN HERE



www.awe.com.au

Brochure: 150920
Version: 140820