



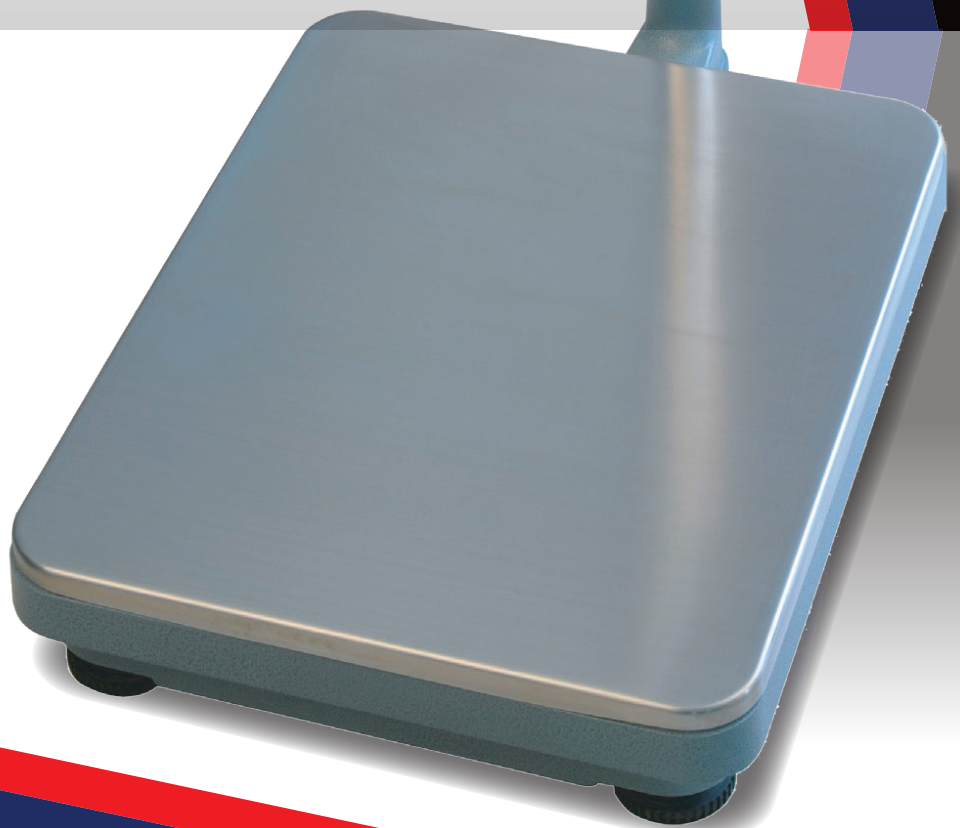
**AUSTRALIAN
WEIGHING
EQUIPMENT**
Way ahead in Weighing



PRODUCT GUIDE

LONGNECK SCALES

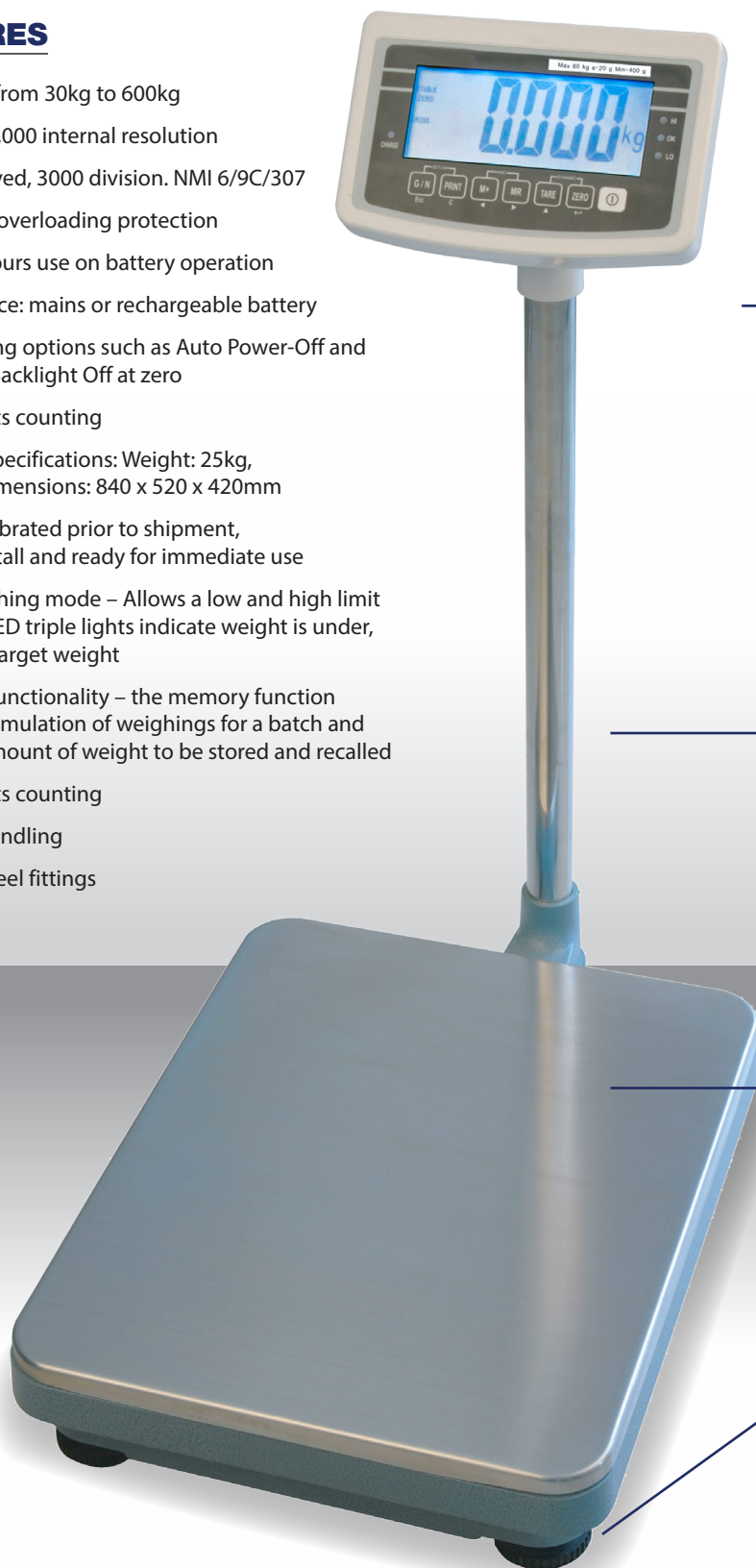
- Trade approved NMI 6/9/307
- Water resistant IP54 rating
- Rugged industrial design





■ FEATURES

- Capacities from 30kg to 600kg
- High 1/600,000 internal resolution
- NMI approved, 3000 division. NMI 6/9C/307
- Accidental overloading protection
- Up to 40 hours use on battery operation
- Power source: mains or rechargeable battery
- Power saving options such as Auto Power-Off and switching Backlight Off at zero
- Simple parts counting
- Shipping specifications: Weight: 25kg, Package dimensions: 840 x 520 x 420mm
- Factory calibrated prior to shipment, easy-to-install and ready for immediate use
- Checkweighing mode – Allows a low and high limit to be set. LED triple lights indicate weight is under, over, or at target weight
- Totalising functionality – the memory function allows accumulation of weighings for a batch and the total amount of weight to be stored and recalled
- Simple parts counting
- Portable handling
- Stainless steel fittings



- Keyboard – Seven simple to use, large tactile keys with multi-functional use.
- Display - 57mm LCD with Backlight displays 6 digits, Stable, Zero, Gross, Net, Tare, Hold, Print, and Low Battery
- LED Displays for Over, Under, Accept on Catch Weighing, and Low Battery
- Housing - Grey ABS indicator with adjustable tilting ability
- Weighing Units - Kilo (kg) Gram (g), Pieces (pcs), Percent (%)

- Stainless steel column
- 660mm long
- Mercury bubble for level adjusting

- Robust Base – 420mm x 520mm or 600mm x 800mm die-cast aluminium base with hard wearing stainless steel weighing platform

- Four feet with adjustment - ensure scale is stable and level on uneven surface with assistance from the level bubble on the base of the pole.



■ **APPLICATIONS**

- Weighing
- Catchweighing
- Basic counting
- Percentage and totalising

■ **SUITABLE INDUSTRIES**

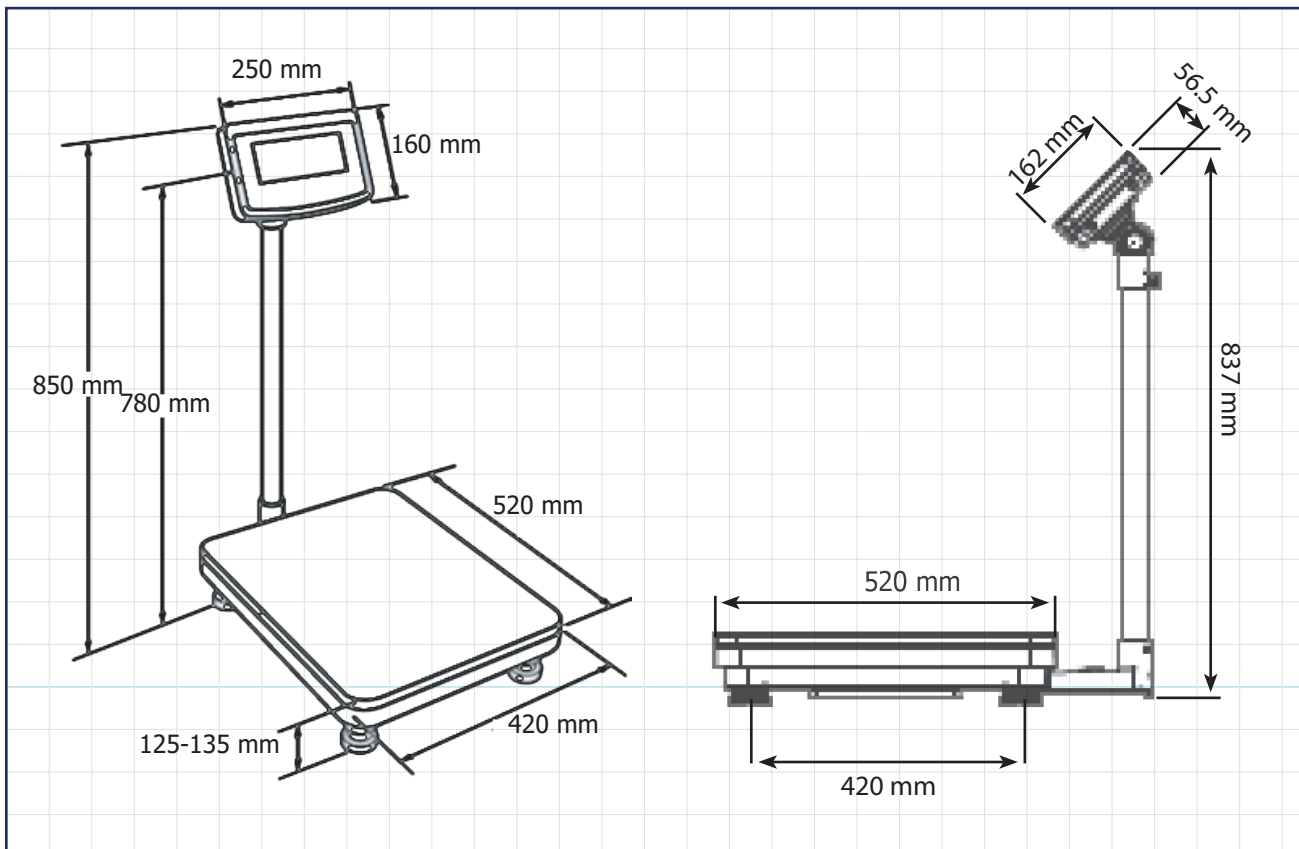
- Warehouses
- Shipping and handling
- Food processing industry
- Animal weighing
- Pharmaceutical
- Chemical
- Any production where raw materials are weighed

A ruggedly built, **versatile** platform scale suitable for **many applications** and available in a **wide range of capacities**





■ **DIMENSIONS**



■ **SPECS**

Order	LONGNECKS230	LONGNECKS260	LONGNECKS2150	LONGNECKS2300
Capacity	30kg	60kg	150kg	300kg
Resolution	10g	20g	50g	100g
Type	Non - Trade Approved Platform		Trade Approved Platform	
Max Division	3.000e	3.000e	3.000e	3.000e
Pan Size	420mm x 520mm	420mm x 520mm 600mm x 800mm	420mm x 520mm 600mm x 800mm	420mm x 520mm 600mm x 800mm
Gross Weight	16.4kg	16.4kg	8.7kg	21kg
Load Cell		1 x 350ohms		
Display	52mm digit LCD display, with white LED backlight			
Keyboard	7 keys (Mechanical switch)			
Housing	ABS Plastic Indicator			
IP Rating	IP54			
Power	AC adapter (12V/500mA), Rechargeable Battery (6V/1.2Ah)			
ADC Update	≤1/10 second			
Operating Temp	-10°C~+40°C			



■ **AWE - THE BEST IN THE BUSINESS**

AWE has built a reputation in providing world class products and services to customers from a wide range of industries for many unique applications. All the products come with AWE Quality Guarantee- giving you the assurance that they have been tested to meet or exceed the specifications and requirements of your application. At AWE, it's more than just delivering perfectly-designed equipment, it also requires a team of dedicated people who will back you up with great service and support. Any servicing, installation and technical support issues you encounter can be addressed either onsite or remotely by our engineers and tradesmen who carry qualifications as:

- Licensed Tradesmen
- Mechanical Engineers
- Electrical Engineers
- Structural Engineers
- Draftsmen
- Fitter & Turners
- Boilermakers
- Fully Qualified Scale Makers
- Electronic Technicians
- Instrument Fitters
- Electricians
- Service Technicians
- Project Managers
- Formworkers
- Concreters

Call AWE today.



If you have questions about

- **weighing equipment**
- **packaging equipment**
- **bulk materials handling**
- **componentry**

call the sales team at *AWE Group* to find the right solution for your individual needs.

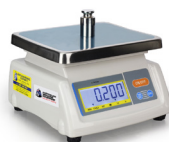
■ **AWE PRODUCT RANGE**



Weighbridges



Load Cells



Scales



Crane Scales



Indicators



Packaging Equipment



Onboard Weighing



Batching Consoles



Test Weight



Maintenance



■ **WHO IS “AUSTRALIAN WEIGHING EQUIPMENT GROUP”**

Jeff & Trevor Baillie started Australian Weighing Equipment (or AWE) in 1981, focusing on weighing solutions based on engineering principles. For nearly 40 years AWE has built its reputation as a leading supplier of robust weighing, packaging & bulk handling equipment. Our innovative engineering and continuous product developments have led to designs that will stand up to the rigours and demands of your applications.

AWE has increased its investment in manufacturing facilities with a new 3,200sq/m factory in Sydney which has

- A CNC Machine Shop
- Heavy Metal Fabrication Shop
- Larger work areas for our team of qualified tradesman

Acquisitions of Bradwood Packaging and Dendy Packaging and Design Engineering has increased our packaging and engineering experience.

In 2008, AWE established a manufacturing facility in China - AWE Group Packaging and Bulk Materials Handling Equipment, a purpose-built 5,000sq/m factory in Suzhou China (70kms From Shanghai).

All of the products we offer are Australian designed and manufactured under our strict quality control system in our own factories both locally and internationally.

■ **LOCATIONS OF AUSTRALIAN WEIGHING EQUIPMENT**



Australian Weighing
Equipment - Sydney Office

8 Heald Road
Ingleburn NSW 2565



Australian Weighing
Equipment - Melbourne Office

37 Barrie Road
Tullamarine, VIC, 3043



Australian Weighing
Equipment - Brisbane Office

7 Darnick Street
Underwood, QLD1 4119

■ **AUSTRALIAN WEIGHING EQUIPMENT ON SOCIAL MEDIA**



@AustralianWeighingEquipment



@australianweighingequipment



/company/awegrouppaustralia



www.youtube.com/AustWeighing



www.awe.com.au

Dealer's Information:

SCAN HERE



www.awe.com.au

Brochure: 150920
Version: 140820