



**AUSTRALIAN
WEIGHING
EQUIPMENT**
Way ahead in Weighing

PRODUCT GUIDE

AFRM-1120 SERIES

- Solid-ink coding continuous band sealer
- Suited to a wide range of heat-sealable materials



↑
AFRM- 1120W Series
Continuous Band Sealer
(Horizontal)



↖ AFRM-1120L
Solid Ink
Coding
Continuous
Sealer



↑
AFRM-1120AL Solid Ink
Coding Continuous Sealer
(Vertical)



AFRM-1120 Solid-Ink Coding Continuous Sealer

■ ABOUT THE AFRM SOLID-INK CONTINUOUS SEALER SERIES

AFRM-1120 Sealer Series seals any thermoplastic material including PE, PPE, quickly & efficiently. It can seal all types of plastic materials and bags, stand up pouches, gusseted bags, and moisture barrier bags.

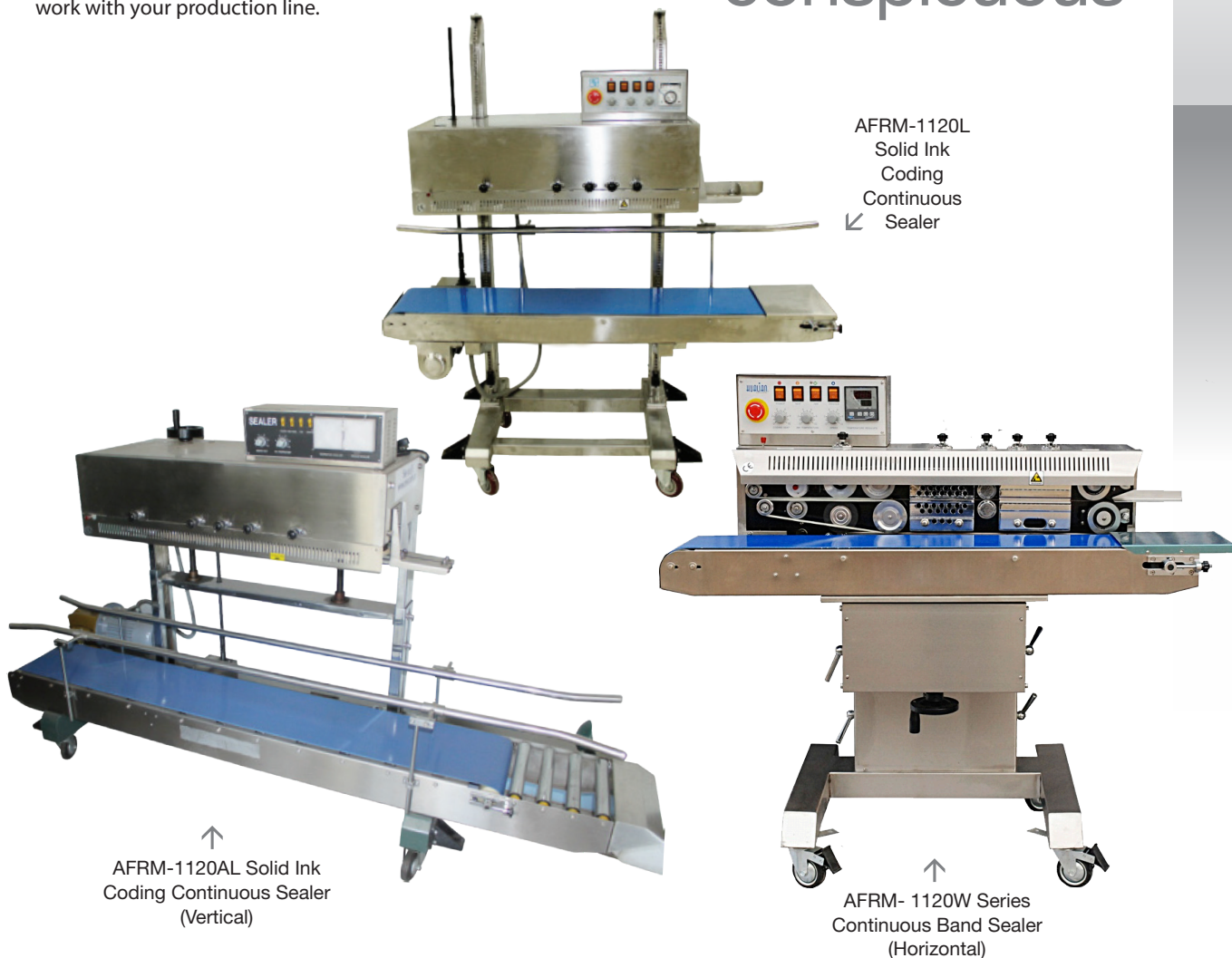
This sealer can be used in a wide array of fields such as the food, medical, and cosmetics industries.

The AFRM-1120 Solid-Ink Coding Continuous Sealer provides a constant temperature control system and stepless speed adjusting transmission mechanism sealing various plastic films.

It is designed to print your desired designs simultaneously while sealing, the characters clear and conspicuous. You have a choice of stable colours for the printing ink. The AFRM-1120 Series is ideal for instant printing because the inks dry instantly, with strong adhesive. A coating can be attached as an option.

The adjustable head & conveyor of the AFRM-1120 Solid-Ink Coding Continuous Sealer Series make it the flexibility to work with your production line.

Designed to
print your
desired designs
while sealing
- the characters
clear and
conspicuous



AFRM-1120L
Solid Ink
Coding
Continuous
Sealer

↑
AFRM-1120AL Solid Ink
Coding Continuous Sealer
(Vertical)

↑
AFRM- 1120W Series
Continuous Band Sealer
(Horizontal)



AFRM-1120 Solid-Ink Coding Continuous Sealer

■ **THE AFRM-1120L CONTINUOUS BAND SEALER**

AFRM-1120L series solid-ink coding continuous band sealer can seal all kinds of heat-sealable materials. Solid-ink coding device is designed to print the colored label on bag while sealing. If necessary, counting device can be equipped as well.

The AFRM-1120L Solid-Ink Coding Continuous Band Sealer, gives you a flexible print & sealing solution for your production, because of its adjustable machine head and conveyor table's height.

A flexible printing & sealing solution for your production

■ **FEATURES & BENEFITS**

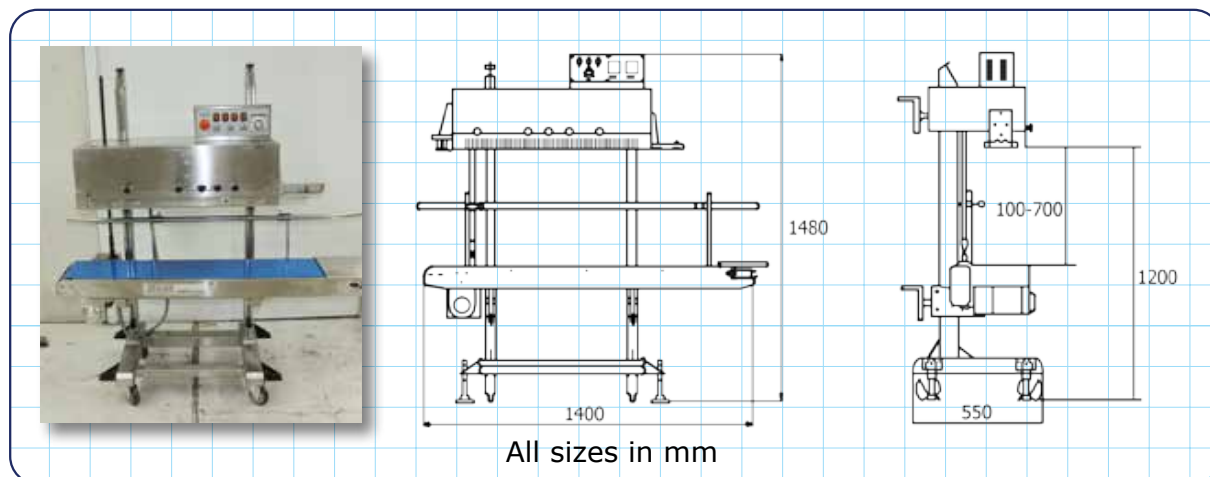
- Constant temperature control and stepless speed regulation.
- Temperature and height of conveyor table are adjustable.
- Solid-ink coding is characterised by high definition, various selectable colors, instant dry while printing and strong adhesive properties.
- Height of model AFRM-1120 head is adjustable.





AFRM-1120 Solid-Ink Coding Continuous Sealer

■ AFRM-1120L DIMENSIONS



■ AFRM-1120AL SPECS

Model	AFRM-1120L	AFRM-1120LD	AFRM-1120AL/SM
Description	Solid-ink coding continuous band sealer	Solid-ink coding continuous band sealer	Solid-ink coding continuous band sealer with 2 sets of heating blocks
Sealing Speed (m/min)	0-10m/min		8m/min
Sealing Width (mm)	8 - 10		
Temperature Range (°C)	0 - 300 (Stepless adjustable)		
Printing Type	Solid Ink		
Distance From Sealing Center to the Conveyor Table (mm)	100 - 500mm	100 - 700mm	270 - 530mm
Size of Conveyor Table (L×W)(mm)	1400 x 250mm		2022 x 300mm
Thickness of Film (monolayer)	≤0.12mm		
Max. Conveyor Loading for Single Bag (kg)	≤5kg		≤10kg
Overall Loading of Conveyor (kg)	≤15kg		≤30kg
Voltage (V/Hz)	AC 240V/50Hz		
Motor Power (W)	230W		550W
Sealing Power (W)	300 x 2W		300 x 4W
Printing Heating Power(W)	40 x 2W		
Dimension (L×W×H) (mm)	1450 x 680 x 1480mm		1950 x 550 x 1100mm
Net Weight(kg)	150kg	105kg	100kg



AFRM-1120 Solid-Ink Coding Continuous Sealer

■ **THE AFRM-1120AL CONTINUOUS BAND SEALER**

AFRM-1120AL series heavy-duty continuous band sealer is specially designed to seal bags made from thick film. Model AFRM-1120AL/ST is designed to be used in a production line and is suitable for sealing bags weighting under 5kgs, 10kgs & 20kgs respectively.

■ **FEATURES & BENEFITS**

- Continuous band sealer with 2 sets of heating blocks
- Constant temperature control and stepless speed regulation.
- Temperature and height of conveyor table are adjustable.
- Solid-ink coding is characterised by high definition, various selectable colors, instant dry while printing, strong adhesive property.
- Height of AFRM-1120AL head is adjustable.

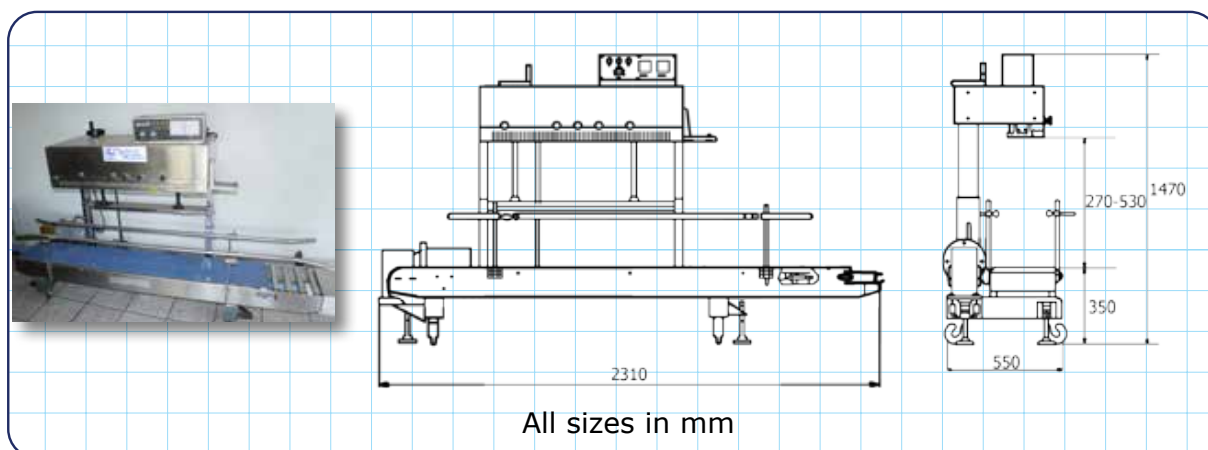
Specifically
designed to
seal bags
made from
thick film





AFRM-1120 Solid-Ink Coding Continuous Sealer

■ AFRM-1120AL DIMENSIONS



■ AFRM-1120AL SPECS

Model	AFR-1120AL/S	AFR-1120AL/SD	AFR-1120AL/ST	AFR-1120AL/SL
Description	Continuous band sealer with 2 sets of heating blocks	Continuous band sealer with 2 sets of heating blocks	Continuous band sealer with 2 sets of heating blocks	Heavy-duty continuous band sealer with 2 sets of heating blocks
Sealing Speed (m/min)	0-10m/min	0-10m/min	0-10m/min	8m/min
Sealing Width (mm)	8 - 10			
Temperature Range (°C)	0 - 300 (Stepless adjustable)			
Distance From Sealing Center to the Conveyor (mm)	100-500mm	100-700mm	-	450-490mm
Adjustable distance from machine head to floor	-	-	1300mm	-
Size of Conveyor Table (LxW) (mm)	1400 x 250mm	1400 x 250mm	-	2400 x 350mm
Thickness of Film (monolayer)	≤0.12mm	≤0.18mm	≤0.18mm	≤0.18mm
Max. Conveyor Loading for Single Bag (kg)	≤5kg	≤10kg	-	≤25kg
Overall Loading of Conveyor (kg)	≤15kg	≤130kg	-	≤75kg
Voltage (V/Hz)	AC 240V/50Hz			
Motor Power (W)	230W	230W	230W	750W
Sealing Power (W)	300 x 4W			
Dimension (LxWxH) (mm)	1450 x 680 x 1480mm	2190 x 550 x 1210mm	1125 x 620 x 1680mm	2430 x 740 x 1450mm
Net Weight (kg)	100kg	110kg	60kg	120kg



AFRM-1120 Solid-Ink Coding Continuous Sealer

■ **THE AFRM-1120W CONTINUOUS BAND SEALER**

AFRM-1120W is designed to quickly and efficiently seal any thermoplastic material including PE, PPE, stand up pouches, gusseted bags, and moisture barrier bags. This sealer is suitable for sealing all types of plastic materials and bags. This sealer can also be used in a wide array of fields such as: the food, medical, and cosmetics industries. It is one of the finest band sealing machines at an economical price.

Quickly & efficiently seal any thermoplastic material

■ **FEATURES & BENEFITS**

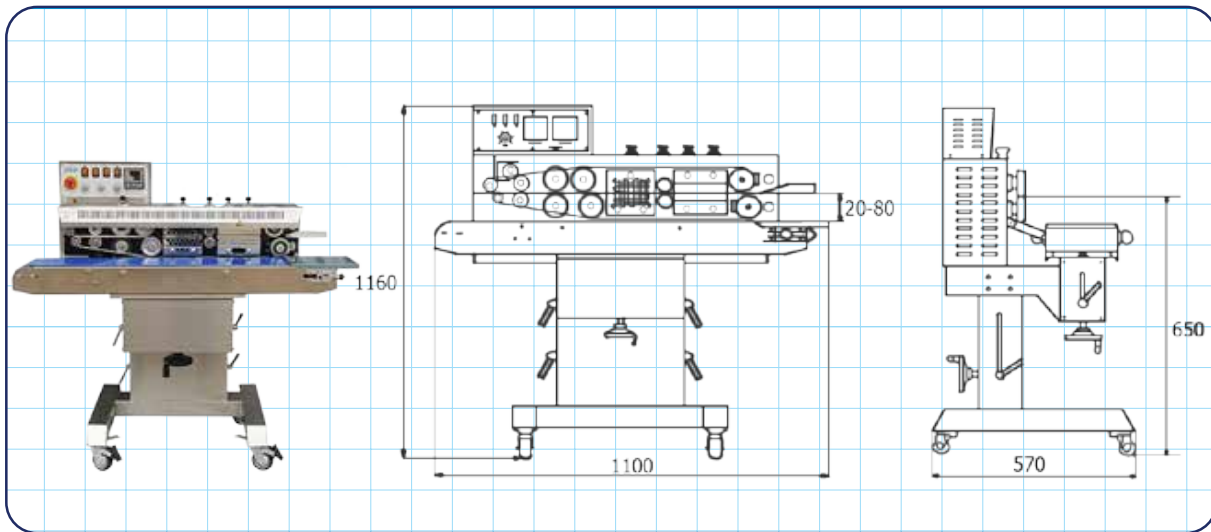
- Durable stainless steel construction
- Tilting seal head, which allows the machine to tilt up to 30 degrees
- Suitable for any product including liquids
- Solid state temperature controller that maintains the seal bars at a proper temperature for consistent seal quality
- Fully adjustable conveyor (both the conveyor height and depth in relation to seal bars can be adjusted)
- Dry ink coding allows for printing on the seal line
- Unit feeds from Right to Left
- Spare Kit includes: PC board, Teflon belt, wheel belt, carbon brush, element, & typeset





AFRM-1120 Solid-Ink Coding Continuous Sealer

■ AFRM-1120/1120W DIMENSIONS



■ AFRM-1120/1120W SPECS

Model	AFRM-1120	AFRS-1120W
Description	Solid-ink codingcontinuous band sealer	Color ribbon printing contiuous band sealer
Sealing Speed (m/min)	0-10	
Sealing Width (mm)	8 – 10mm	
Temperature Range (°C)	0-300 (Stepless adjustable)	
Printing Type	Solid-Ink	Colour Ribbon
Distance from Sealing Center to the Conveyor Table (mm)	20-80	
Size of Conveyor Table (L×W) (mm)	1100×205	
Thickness of Film (monolayer) ≤	0.12mm	
Max. Conveyor Loading for Single Bag (kg)	≤ 2.5kg	
Overall Conveyor Loading (kg)	≤ 7.5kg	
Voltage (V/Hz)	AC 240V/50Hz	
Motor Power (W)	100	
Sealing Power (W)	300×2	
Printing Heating Power (W)	40×2W	50 x 2W
Dimension (L×W×H) (mm)	1100 x 610 x 1030mm	1100 x 570 x 1160mm
Net Weight(kg)	85	



AFRM-1120 Solid-Ink Coding Continuous Sealer

■ AWE - THE BEST IN THE BUSINESS

AWE has built a reputation in providing world class products and services to customers from a wide range of industries for many unique applications. All the products come with AWE Quality Guarantee- giving you the assurance that they have been tested to meet or exceed the specifications and requirements of your application.

At AWE, it's more than just delivering perfectly-designed equipment, it also requires a team of dedicated people who will back you up with great service and support. Any servicing, installation and technical support issues you encounter can be addressed either onsite or remotely by our engineers and tradesmen who carry qualifications as:

- Licensed Tradesmen
- Mechanical Engineers
- Electrical Engineers
- Structural Engineers
- Draftsmen
- Fitter & Turners
- Boilermakers
- Fully Qualified Scale Makers
- Electronic Technicians
- Instrument Fitters
- Electricians
- Service Technicians
- Project Managers
- Formworkers
- Concreters



Call AWE today. We will find the right solution for your individual needs.

If you have questions about

- **weighing equipment**
- **packaging equipment**
- **bulk materials handling**
- **componentry**

call the sales team at *AWE Group* to find the right solution for your individual needs.

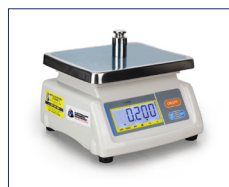
■ AWE PRODUCT RANGE



Weighbridges



Load Cells



Scales



Crane Scales



Indicators



Packaging Equipment



Onboard Weighing



Batching Consoles



Test Weight



Maintenance



AFRM-1120 Solid-Ink Coding Continuous Sealer

■ WHO IS “AUSTRALIAN WEIGHING EQUIPMENT GROUP”

Jeff & Trevor Baillie started Australian Weighing Equipment (or AWE) in 1981, focusing on weighing solutions based on engineering principles. For nearly 40 years AWE has built its reputation as a leading supplier of robust weighing, packaging & bulk handling equipment. Our innovative engineering and continuous product developments have led to designs that will stand up to the rigours and demands of your applications.

AWE has increased its investment in manufacturing facilities with a new 3,200sq/m factory in Sydney which features;

- A CNC Machine Shop
- Heavy Metal Fabrication Shop
- Larger work areas for our team of qualified tradesman

Acquisitions of Bradwood Packaging and Dendy Packaging and Design Engineering has increased our packaging and engineering experience.

In 2008, AWE established a manufacturing facility in China - AWE Group Packaging and Bulk Materials Handling Equipment, a purpose-built 5,000sq/m factory in Suzhou China (70kms From Shanghai).

All of the products we offer are Australian designed and manufactured under our strict quality control system in our own factories both locally and internationally.

■ LOCATIONS OF AUSTRALIAN WEIGHING EQUIPMENT



Australian Weighing
Equipment - Sydney Office

8 Heald Road
Ingleburn NSW 2565



Australian Weighing
Equipment - Melbourne Office

37 Barrie Road
Tullamarine, VIC, 3043



Australian Weighing
Equipment - Brisbane Office

7 Darnick Street
Underwood, QLD 4119

■ AUSTRALIAN WEIGHING EQUIPMENT ON SOCIAL MEDIA



@AustralianWeighingEquipment



@australianweighingequipment



/company/awegrouppaustralia



www.youtube.com/AustWeighing



www.awe.com.au

Dealer's Information:

SCAN HERE



www.awe.com.au