



**AUSTRALIAN
WEIGHING
EQUIPMENT**
Way ahead in Weighing

PRODUCT GUIDE

VIKING HOT AIR SEALER

- Heavy Duty industrial sealer for Open Mouth Bags
- Increase efficiency in your production process





■ ABOUT THE VIKING HOT-AIR SEALER

The Viking Hot Air Sealer works on the principle of heat transfer by hot air jet streams. It drives circulating air into a heating chamber passing over a heating cartridge, which directs heat to the area to be sealed. A set of knurled rollers applies pressure, and once cooled, the plastic bonds together sealing the mouth of the bag with a consistent seal.

The Viking's stainless steel construction makes it suitable for packaging an array of products. It can be factory configured to suit Right to Left, or Left to Right operations, to suit your production line.

This machine has the Lowest 'Cost of Ownership' in its class, because it allows fast, efficient inline sealing of open-mouth bags. Saving you time and money.

It was designed and built to seal polyethylene, coated, laminated or even complex bags with a polyethylene inner liner. It's quick and easy to change to different bags, because of its easy height-adjustable stand & quick set PID Temperature Control.

The feed rate through the sealer can be changed easily to match your existing conveyor system or production line, via a set & forget (VFD) Variable Frequency Drive.

The Viking
allows **fast,**
efficient
inline
sealing of
Open-Mouth
Bags

■ HOW THE VIKING HOT SEALER WORKS

1. Using the temperature controller, the correct temperature is set to suit the thickness of bags being sealed.
2. The In-feed section guides the leading edge of the filled plastic bag to the feed belts where it is gripped and supported through the sealer.
3. The bag then travels through four streams of "hot air" to create a malleable band of plastic which passes between pressure rollers to complete the weld.
4. Cooling occurs and the seal is complete.



Temperature controller



Bag infeed



Viking Hot-Air Sealer

■ FEATURES & BENEFITS

- The Viking Sealer's hot air sealing technology eliminates the need for Teflon Fabric or Steel Teflon coated sealing bands, which means you get quality seals, faster changeover, less downtime & increased reliability with greater flexibility
- Consistent seals every time aided by the Automatic PID temperature control
- Precision Laser cut Stainless Steel construction
- Large variety of knurled rollers available to suit the bags your using, and seal widths up to 12 mm to meet your bagging needs (Standard 5mm)
- The adjustable heating bars allow you to seal various thickness of bags (up to 250 Microns)
- Plug & play setup
- Easy to match your systems conveyor speeds with the VFD Speed Controller
- Low profile infeed ensures correct bag presentation
- All working parts fully accessible
- No compressed air required
- Built in Auto Cool Down function so it cools faster, reducing overheating of belts.
- Built to last and will keep working in the harshest environment.
- Universal and industrial components to give the machinery extra long life cycles - you're not locked into expensive proprietary systems
- Manufactured to comply with Australian and International standards.



Viking Sealer with covers open



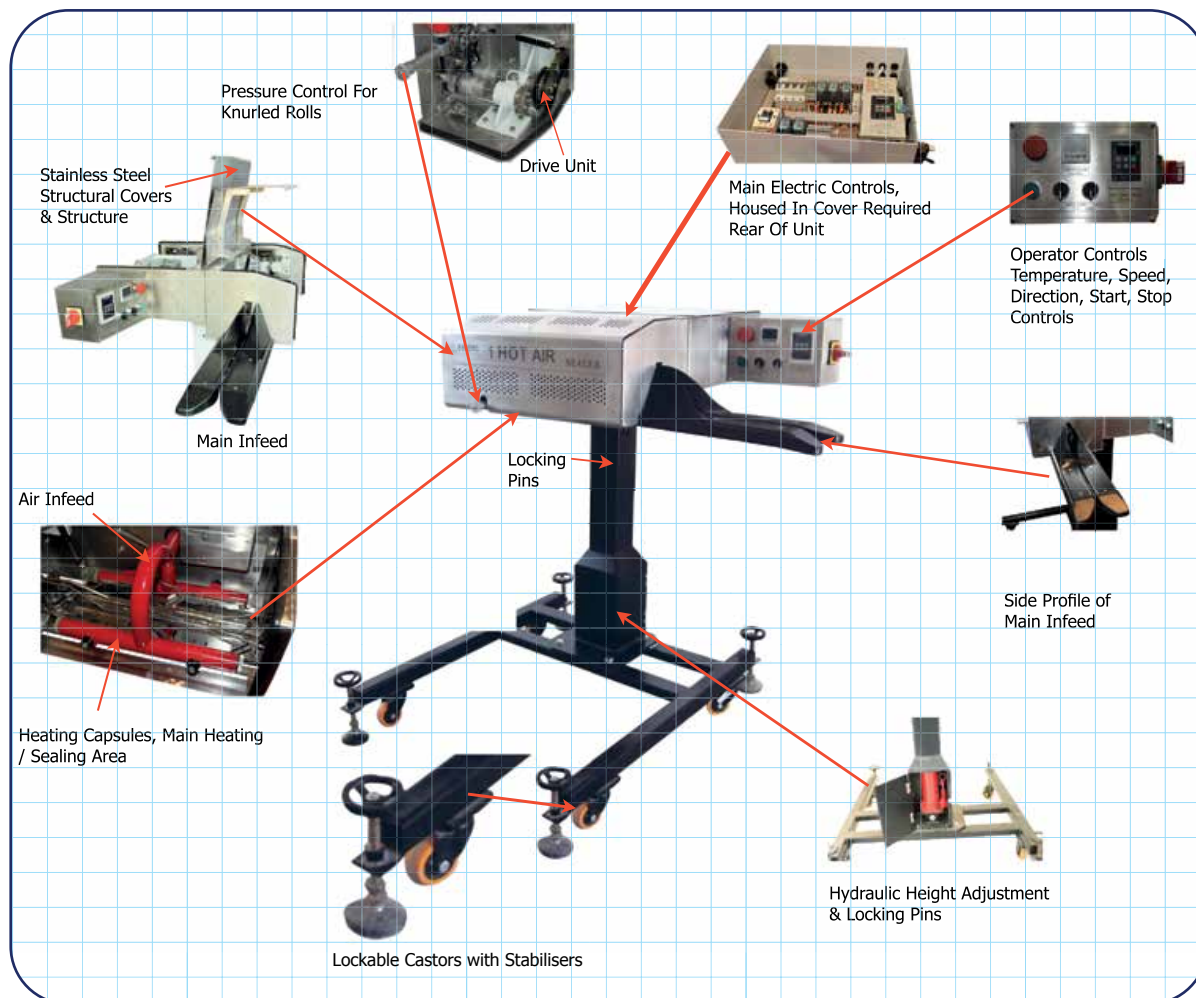
Air Infeed and heating/sealing components

Quality seals,
faster
changeover,
less downtime &
increased reliability
with greater
flexibility





■ **COMPONENTS OF THE VIKING SEALER**

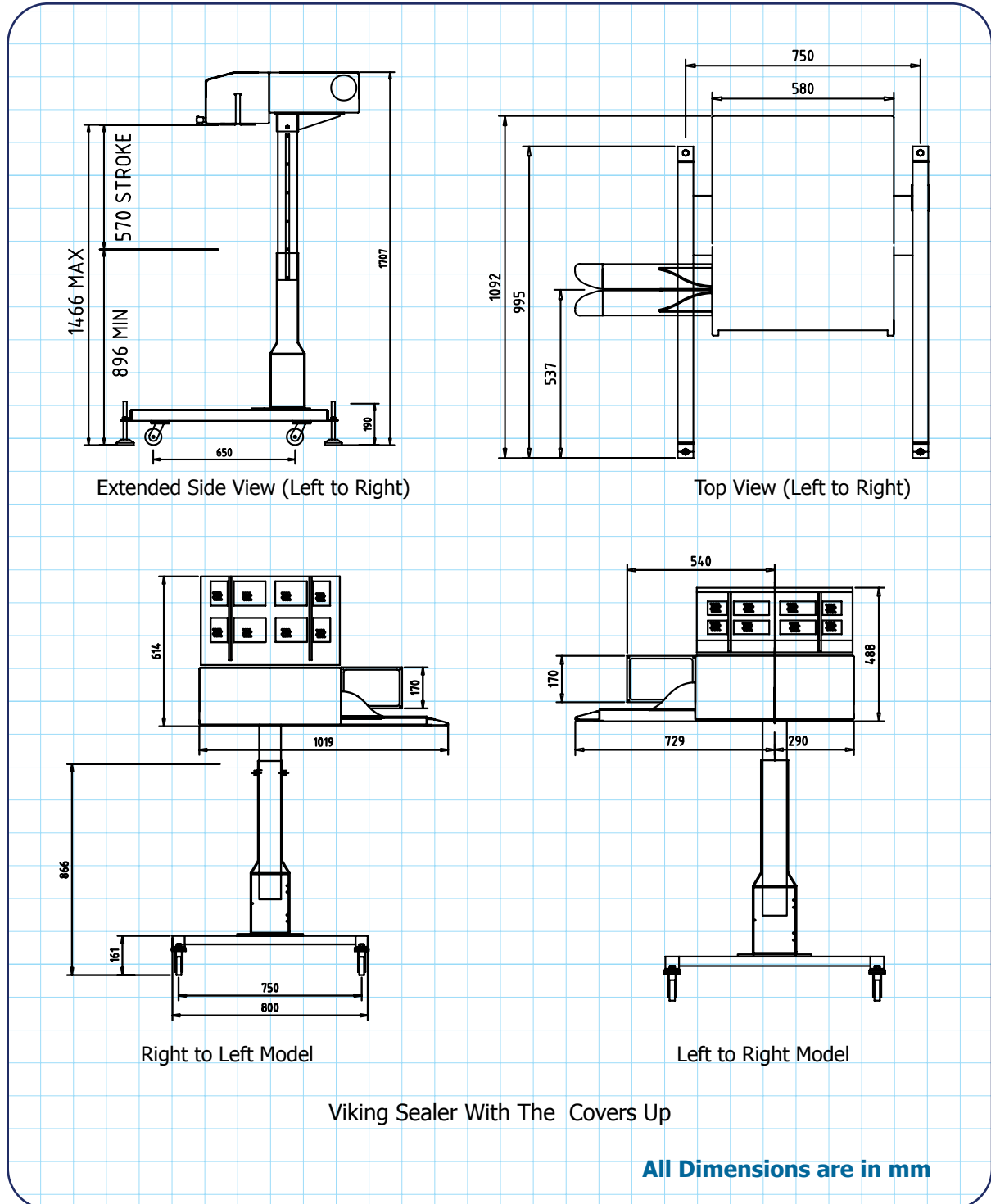


OPTIONAL EQUIPMENT TO COMPLETE YOUR PACKAGING SYSTEM

- Bag Flatteners
- Conveyors
- Palletisers
- Self Leveling Palletisers
- Gross/Net Weighers
- Bag Kickers
- Check Weighers
- Complete Bagging Lines and feeders



■ **DIMENSIONS**





■ **SPECIFICATIONS**

Order Code	VIKING-1-R-TO-L	VIKING-1-L-TO-R
Dimensions	Refer to Dimension Drawing (Page 5)	
Weight	Total weight is 128Kg, (Sealer is 73Kg and Stand 55Kg)	
Build	Right to Left (standard)	Left to Right (optional)
Bag Width	No Limit	
Voltage	200 - 250 v AC, single phase, (100 -120 v on request)	
Power	1500 w (maximum)	
Air	Not required for standard configuration	
Speed	Variable 2m/min to 20m/min	
Protection	IP54	
Sealing		
Bag Type	Flat Polyethylene or plastic bags up to 250 micron thick (Also suitable for gusset bags, speak to one of our trained packaging consultants for more details)	
Height Below Seal	900mm - 1460mm (Above Floor Line)	
Seal Width	Up to 12mm (5mm Standard)	
Seal Type	Crimped or plain as standard. Other profiles available upon request	
Height Above Seal	120mm (Max)	
Freeboard Above Product	Bring bag side together and allow 30mm minimum (typically allow 100mm)	





■ HOW TO ORDER YOUR VIKING SEALER

When you order your Viking Sealer, it comes with:

- A right to left hand feed (can be built left to right)
- Plug into 200 – 250 v AC supply
- 5mm rollers shipped as standard
- Height adjustable stand (optional)
- The Viking Hot Air Sealer is a heavy duty industrial sealer for sealing open mouth bags

So, just plug it in and follow the quick video tutorial and you're ready to go. We offer optional extras, (refer to the list provided).

If you have more questions about the Viking Hot Air Sealer then talk to an AWE Sales Consultant.



■ ORDER CODES

Order Code	Description
VIKING-1-R-TO-L	Viking Hot Air Sealer, Right to left Build, Stainless Steel Body, 200 - 250V AC (Standard)
VIKING-1-L-TO-R	Viking Hot Air Sealer, Left to Right Build, Stainless Steel Body, 200 - 250V AC (Optional)

■ OPTIONS ORDER CODES

Order Code	Description
VIKING-STAND	Viking Sealer hydraulic height adjustable stand, lockable castors & stabilisers
VIKING-BAG-LEAD	Lead for Viking Hot Air Sealer, bag sensor (4 pin m12 x 2 metre lead)
VIKING-EMBOSSER	Bag embosser / coder, suitable for embossing bags: date, time, batch, numbers etc
VIKING-EMBOSTIME	Timer for Viking Hot Air Sealer bag embosser
VIKING-BAG-SENS	Sensor for Viking Bag Sealer embossing attachment
VIKING-EMBOSRAM	Air ram for Viking Hot Air Sealer, bag embosser
VIKING-BAGTRIM	Viking Hot Air Sealer bag trimmer, bag top trimmer cuts off excess film from the top of the bag
VIKING-BAGTRIMVC	Viking Hot Air Sealer bag trimmer vacuum extractor, removes excess film, vacuumed into bag
VIKING-BAGEMB-CO	Bag embosser / coder, suitable for embossing bags: date, time, batch, numbers etc
VIKING-INKPRI-CO	Ink printers / coder, suitable for printing bags: date, time, batch, numbers etc
VIKING-BAGAIRTC	Air bag top cleaner, for removing excess product from the throat of the bag
VIKING-PNEUHEIAS	Pneumatic height adjustable stand for viking sealer, uses compressed air & locking pin
VIKING-CONVEY-IN	An integrated parallel conveyor to suit your type & size of bags (bags over 1 kg)
VIKING -C-BELT	Carrier belt for a Viking Hot Air Sealer
VIKING-DRVBELT	Drive belt for a Viking Hot Air Sealer



Viking Hot-Air Sealer

■ AWE - THE BEST IN THE BUSINESS

AWE has built a reputation in providing world class products and services to customers from a wide range of industries for many unique applications. All the products come with AWE Quality Guarantee- giving you the assurance that they have been tested to meet or exceed the specifications and requirements of your application.

At AWE, it's more than just delivering perfectly-designed equipment, it also requires a team of dedicated people who will back you up with great service and support. Any servicing, installation and technical support issues you encounter can be addressed either onsite or remotely by our engineers and tradesmen who carry qualifications as:

- Licensed Tradesmen
- Mechanical Engineers
- Electrical Engineers
- Structural Engineers
- Draftsmen
- Fitter & Turners
- Boilermakers
- Fully Qualified Scale Makers
- Electronic Technicians
- Instrument Fitters
- Electricians
- Service Technicians
- Project Managers
- Formworkers
- Concreters



Call AWE today. We will find the right solution for your individual needs.

If you have questions about

- **weighing equipment**
- **packaging equipment**
- **bulk materials handling**
- **componentry**

call the sales team at *AWE Group* to find the right solution for your individual needs.

■ AWE PRODUCT RANGE



Weighbridges



Load Cells



Scales



Crane Scales



Indicators



Packaging Equipment



Onboard Weighing



Batching Consoles



Test Weight



Maintenance



■ WHO IS “AUSTRALIAN WEIGHING EQUIPMENT GROUP”

Jeff & Trevor Baillie started Australian Weighing Equipment (or AWE) in 1981, focusing on weighing solutions based on engineering principles. For nearly 40 years AWE has built its reputation as a leading supplier of robust weighing, packaging & bulk handling equipment. Our innovative engineering and continuous product developments have led to designs that will stand up to the rigours and demands of your applications.

AWE has increased its investment in manufacturing facilities with a new 3,200sq/m factory in Sydney which features;

- A CNC Machine Shop
- Heavy Metal Fabrication Shop
- Larger work areas for our team of qualified tradesman

Acquisitions of Bradwood Packaging and Dendy Packaging and Design Engineering has increased our packaging and engineering experience.

In 2008, AWE established a manufacturing facility in China - AWE Group Packaging and Bulk Materials Handling Equipment, a purpose-built 5,000sq/m factory in Suzhou China (70kms From Shanghai).

All of the products we offer are Australian designed and manufactured under our strict quality control system in our own factories both locally and internationally.

■ LOCATIONS OF AUSTRALIAN WEIGHING EQUIPMENT



Australian Weighing
Equipment - Sydney Office

8 Heald Road
Ingleburn NSW 2565



Australian Weighing
Equipment - Melbourne Office

37 Barrie Road
Tullamarine, VIC, 3043



Australian Weighing
Equipment - Brisbane Office

7 Darnick Street
Underwood, QLD 4119

■ AUSTRALIAN WEIGHING EQUIPMENT ON SOCIAL MEDIA



@AustralianWeighingEquipment



@australianweighingequipment



/company/awegrouppaustralia



www.youtube.com/AustWeighing



www.awe.com.au

Dealer's Information:

SCAN HERE



www.awe.com.au